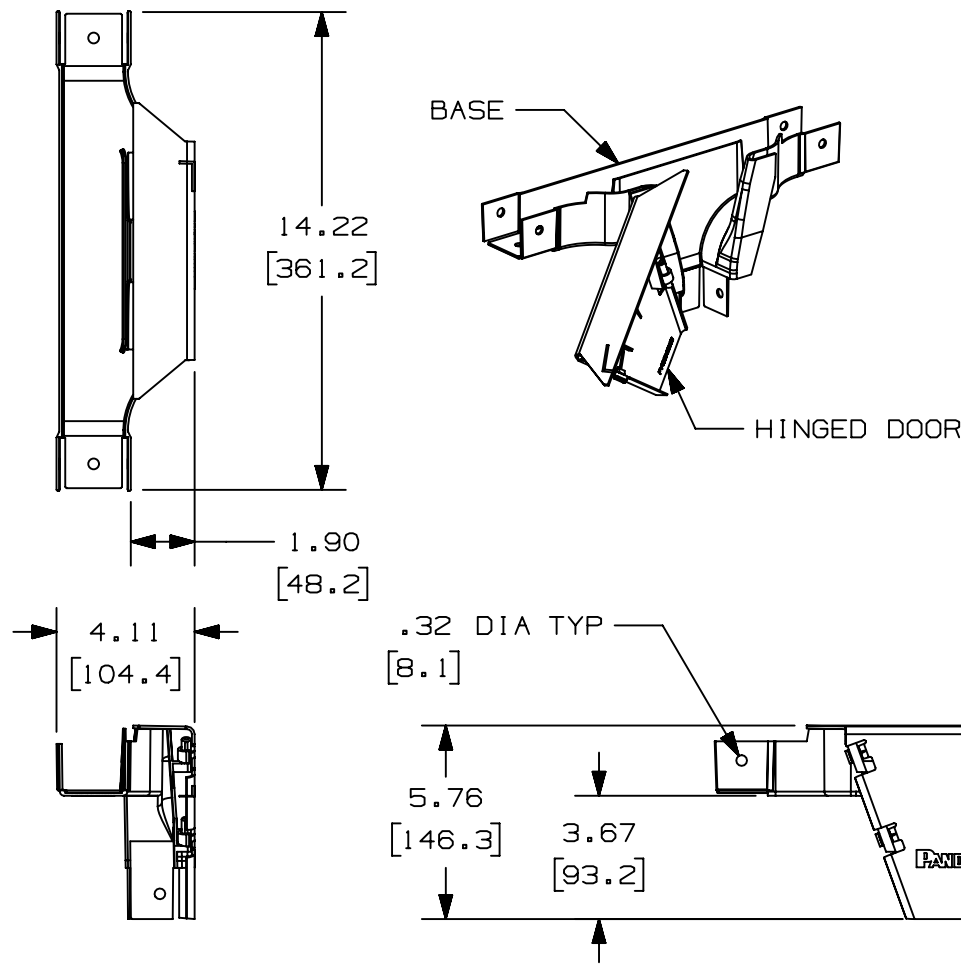


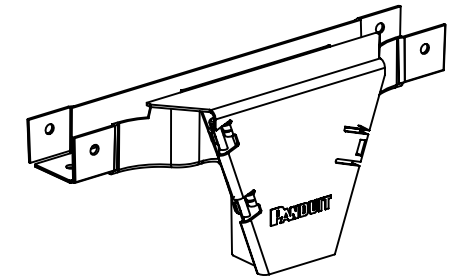
THIS COPY IS PROVIDED ON A RESTRICTED BASIS AND IS NOT TO BE USED IN ANY WAY DETRIMENTAL TO THE INTERESTS OF PANDUIT CORP.

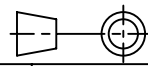
NOTES:

1. SEE CURRENT CATALOG FOR ADDITIONAL PART SUFFIXES TO INDICATE COLOR AND/OR PACKAGE QUANTITY.
2. DIMENSIONS IN PARENTHESES ARE IN METRIC.
3. THE FIBER-DUCT 2x2 AND FIBERRUNNER 2x2 VERTICAL TEE FITTING INCLUDES:
ONE (1) VERTICAL TEE BASE,
ONE (1) HINGED DOOR



PANDUIT PART NUMBER	WEIGHT	MATERIAL
FVTHD2X2**	0.55 LB/EACH (251g/EACH)	ABS
FVTHD2X2L**	0.55 LB/EACH (251g/EACH)	PC/ABS



TITLE		FIBER-DUCT 2X2 AND FIBERRUNNER 2X2 VERTICAL TEE FITTING (FVTHD2X2** & FVTHD2X2L**)							
ITEM REVISION NAME		CUSTOMER DRAWING							
DATASET FILE NAME		D38239BD/01							
		PANDUIT							
		MATERIAL: SEE PART NUMBER TABLE ABOVE							
		DRAWING NUMBER: 38239-04							
		THIRD ANGLE PROJECTION							
DRAWN BY	DATE	CHK	SCALE	SIZE					
JHNU	02/21/02	CEO	NONE	A					
REV		DATE		BY	CHK	APR	DESCRIPTION	ECN	SHT 1 OF 1

01C	08/25/20	PJST	DWR	DWR	ADDED PART NUMBER	V09002DZ/11
2	05/07/13	JBN	RTFI	RN	F. UPDATED DRAWING BORDER & TITLE BLOCK	38239-04
REV	DATE	BY	CHK	APR	DESCRIPTION	ECN