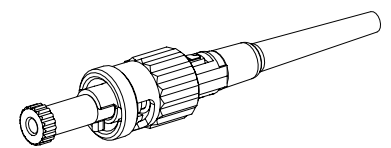
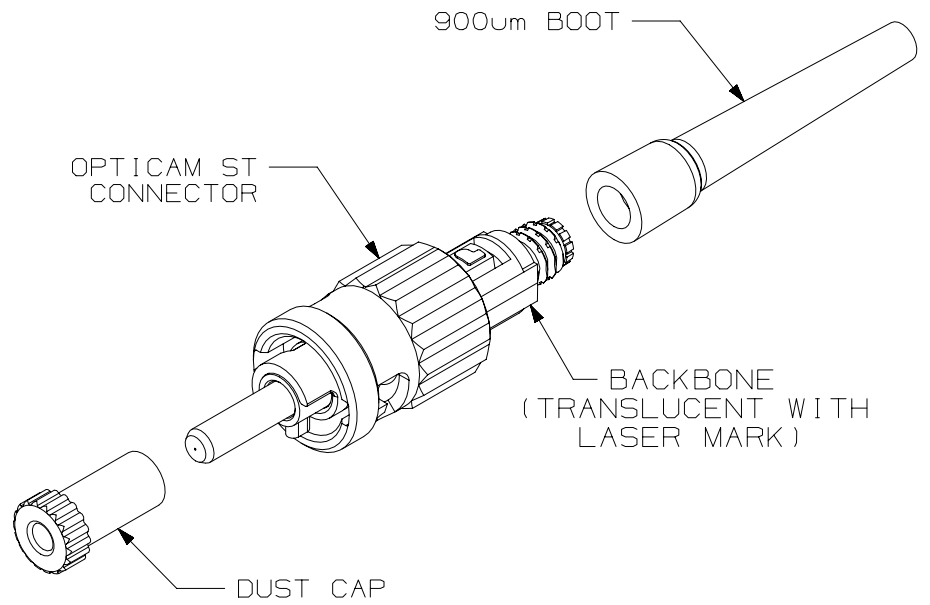
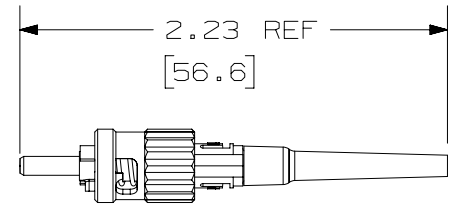


THIS COPY IS PROVIDED ON A RESTRICTED BASIS AND IS NOT TO BE USED IN ANY WAY DETRIMENTAL TO THE INTERESTS OF PANDUIT CORP.

NOTES:

1. SEE CATALOG FOR ADDITIONAL PART NUMBER SUFFIXES TO INDICATE COLOR AND/OR PACKAGE QUANTITY
2. ACCEPTS 900um BUFFERED GLASS OPTICAL FIBER.
3. FULLY COMPLIES WITH THE FIBER OPTIC CONNECTOR PERFORMANCE REQUIREMENTS AS SPECIFIED BY TIA/EIA-568-C.3.
4. MATERIAL:
BODY/HARDWARE: PLASTIC
BOOT: THERMOPLASTIC RUBBER
FERRULE: ZIRCONIA CERAMIC OR POLYMER
5. DIMENSIONS IN [] ARE METRIC [mm].
6. 1.6/2.0mm AND 3.0mm BOOT ASSEMBLIES ARE AVAILABLE SEPARATELY.
7. ALL MATERIALS AND COMPONENTS USED MEET THE MATERIAL RESTRICTIONS OF RoHS (EUROPEAN DIRECTIVE 2011/65/EC ON THE RESTRICTION OF HAZARDOUS SUBSTANCES) AS PROPOSED BY THE RoHS TECHNICAL ADAPTATION COMMITTEE.



PANDUIT PART NUMBER	FIBER TYPE
FST2SCBU	9/125um OS1/OS2 SINGLEMODE
FST2MC6E1	62.5/125um OM1 MULTIMODE
FST2MC5BL	50/125um OM2 MULTIMODE
FST2MCXAQ	50/125um OM3/OM4 MULTIMODE

OOA	03-31-17	SAT	PJI	SKH	RELEASED TO PRODUCTION				M01894CS-DC	
REV	DATE	BY	CHK	APR	DESCRIPTION	ECN				

TITLE										
OPTICAM ST2 CONNECTOR										
CUSTOMER DRAWING										
ITEM REVISION NAME					M01894CS/00					
DATASET FILE NAME					M01894CS_DC/00A					
UNLESS OTHERWISE SPECIFIED, DIMENSIONAL TOLERANCES ARE: IN [mm]										
.x ±					.xxx ± .010 (0.3)					
.xx ± .03 (0.8)					ANGLES ±					
					THIRD ANGLE PROJECTION					
PART NO.										
SEE TABLE										
DRAWING NUMBER:										
M01894CS-DC										
DRAWN BY	DATE	CHK	SCALE							SIZE
SAT	03-31-17	PJI	NONE							A
								SHT 1 OF 1		