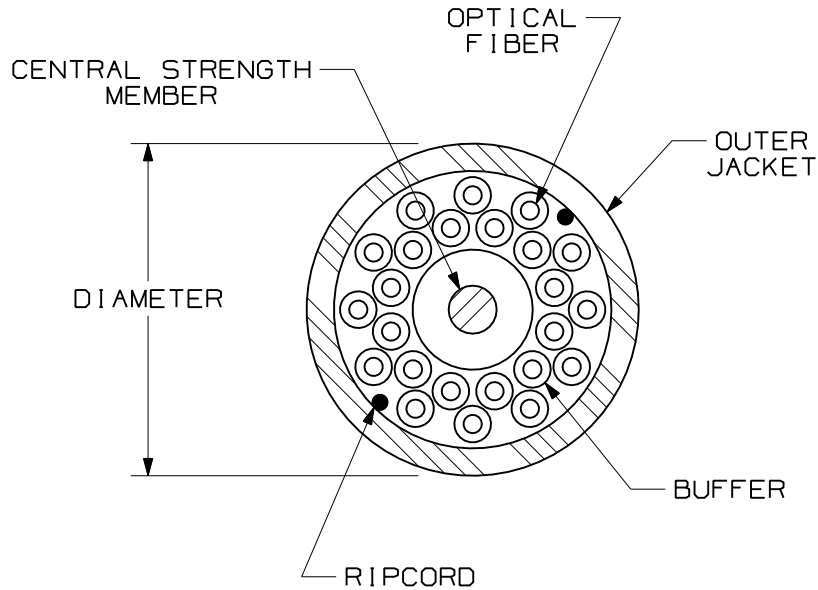


THIS COPY IS PROVIDED ON A RESTRICTED BASIS AND IS NOT TO BE USED IN ANY WAY DETRIMENTAL TO THE INTEREST OF PANDUIT CORP.



TYPE/DESCRIPTION	COLOR	MAXIMUM LOSS
SINGLEMODE 9/125 μ m 24 FIBER DISTRIBUTION CABLE W/900 μ m TIGHT BUFFER	YELLOW	.75 dB/KM @ 1310nm .75 dB/KM @ 1550nm

PLENUM - FSDP924Y			
TENSILE LOAD		BEND RADIUS	
INSTALLATION	LONG TERM	INSTALLATION	LONG TERM
1780 N (400 lbf)	534 N (120 lbf)	277mm (10.9 in)	183mm (7.2 in)
CABLE DIAMETER (REFERENCE ONLY)	TEMPERATURE		
	INSTALLATION/OPERATION		STORAGE
6.7mm DIA (0.290")	0°C TO +50°C 32°F TO +122°F		-40°C TO +65°C -40°F TO +149°F


RISER RATED - FSDR924Y			
TENSILE LOAD		BEND RADIUS	
INSTALLATION	LONG TERM	INSTALLATION	LONG TERM
1780 N (400 lbf)	534 N (120 lbf)	128mm (5.0 in)	85mm (3.4 in)
CABLE DIAMETER (REFERENCE ONLY)	TEMPERATURE		
	INSTALLATION/OPERATION		STORAGE
8.5mm DIA (0.335")	-20°C TO +50°C -4°F TO +122°F		-40°C TO +65°C -40°F TO +149°F

WEIGHT OF 2.5km REEL/BOX	
OFNP	OFNR
558.7 kg (1231.8 lbs)	615.0 kg (1355.9 lbs)

- NOTES:
- DIAMETER DIMENSION SHOWN FOR REFERENCE ONLY.
 - CABLE SUPPLIED IN 2500 METER (8202 FT) LENGTHS.
 - FOR PART NUMBERS AND LENGTHS OTHER THAN THOSE SHOWN, CONTACT YOUR PANDUIT SALES PERSON.
 - ALL MATERIALS AND COMPONENTS USED MUST MEET THE MATERIAL RESTRICTIONS OF RoHS, (EUROPEAN DIRECTIVE 2002/95/EC ON THE RESTRICTIONS OF HAZARDOUS SUBSTANCES) AS PROPOSED BY THE RoHS TECHNICAL ADAPTATION COMMITTEE.

REV	DATE	BY	CHK	DESCRIPTION	ECN	R	CUST	SUP	OTH
01	01-24-07	EFK		RELEASED TO PRODUCTION	02055-43				

SINGLEMODE 9/125 μ m
OPTI-CORE 24 FIBER DISTRIBUTION CABLE
W/900 μ m TIGHT BUFFER
CUSTOMER DRAWING



PANDUITTM
CORP.
TINLEY PARK, ILL 60477

DRAWING FILENAME
MO2055BG_DC_24-9um_00B.prt

SCALE
NONE

PART NO.
FSDP924Y
FSDR924Y

DRAWING NO.
02055-43

SIZE
A

ALL DIMENSIONS ARE GIVEN IN INCHES, UNLESS OTHERWISE SPECIFIED.

DIMENSIONAL TOLERANCES ARE:
(.X) (.XXX) ±.010 (0.3)
(.XX) ±.03 (0.8) ANGLES

THIRD ANGLE PROJECTION

DRAWN BY: MC REVIEW DRAWING NUMBERS

DATE: 08-28-04

CHK'D