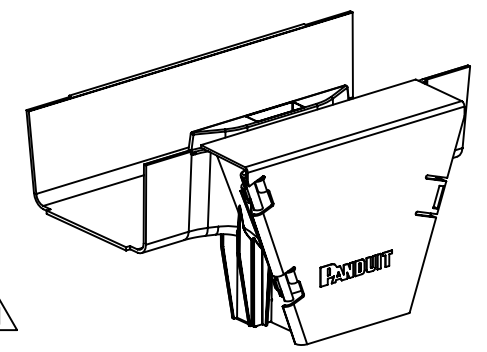
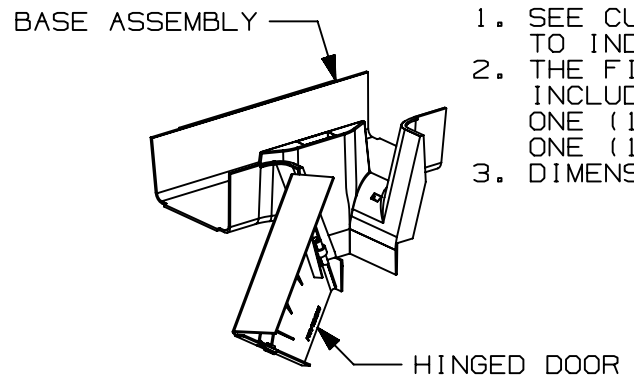
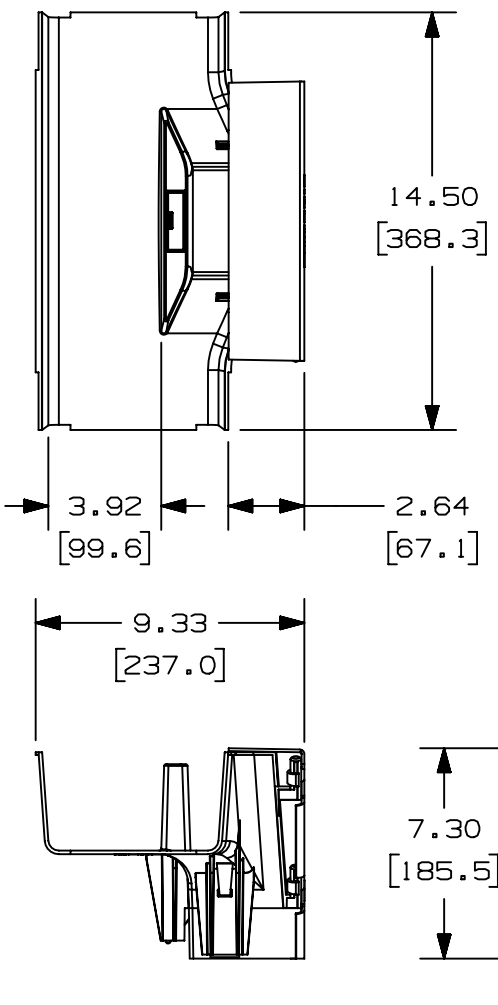


THIS COPY IS PROVIDED ON A RESTRICTED BASIS AND IS NOT TO BE USED IN ANY WAY DETRIMENTAL TO THE INTERESTS OF PANDUIT CORP.



PANDUIT PART NUMBER	WEIGHT	MATERIAL
FRVT6X4**	2.05 LB/EACH (928g/EACH)	ABS
FRVT6X4L**	2.05 LB/EACH (928g/EACH)	PC/ABS



NOTES:

- SEE CURRENT CATALOG FOR ADDITIONAL PART SUFFIXES TO INDICATE COLOR AND/OR PACKAGE QUANTITY.
- THE FIBERRUNNER 6x4 QUIKLOCK VERTICAL TEE FITTING INCLUDES:
ONE (1) QUIKLOCK VERTICAL TEE BASE ASSEMBLY,
ONE (1) HINGED DOOR
- DIMENSIONS IN PARENTHESES ARE IN METRIC.



D101000A/15

REV	DATE	BY	CHK	APR	DESCRIPTION	ECN
06A	11-26-19	MES	DWR	DWR	Q. ADDED MATERIAL O. UPDATED GEOMETRY P. ADDED P/N: FRVT6X4L**	V09002DZ/02
5	05-10-13	JBN	RTFI	RN	N. UPDATED DRAWING BORDER & TITLE BLOCK	37185-64

TITLE FIBERRUNNER 6X4 QUIKLOCK VERTICAL TEE FITTING (FRVT6X4**, FRVT6X4L**)		PANDUIT
CUSTOMER DRAWING		
ITEM REVISION NAME D37185ER/04		MATERIAL: SEE PART NUMBER TABLE ABOVE
DATASET FILE NAME D37185ER_DC/06A		
UNLESS OTHERWISE SPECIFIED, DIMENSIONAL TOLERANCES ARE: IN [mm] .X ± .03 [.8] .XXX ± .XX ± .03 [.8] ANGLES ±		
DRAWN BY REWE		DRAWING NUMBER: 37185-64
DATE 05-01-00	CHK WAB	SCALE NONE
SHT 1 OF 1		SIZE A