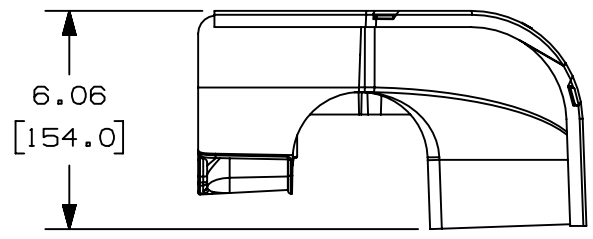
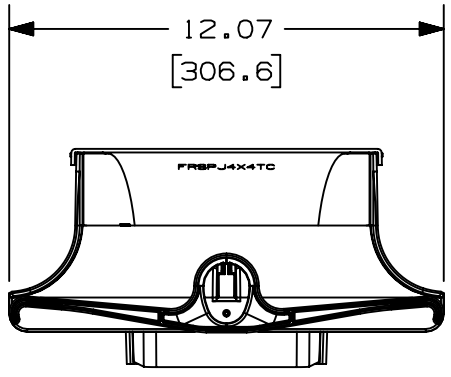
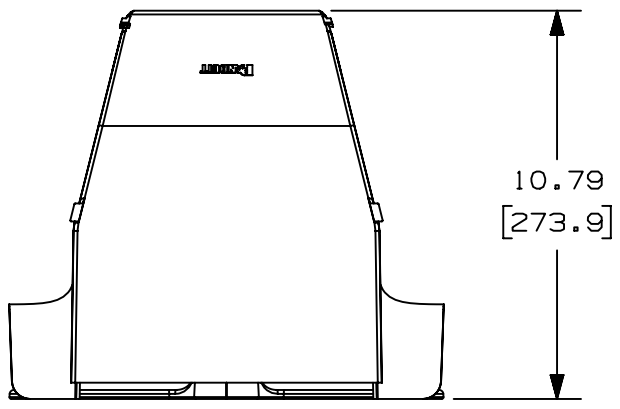


2

1

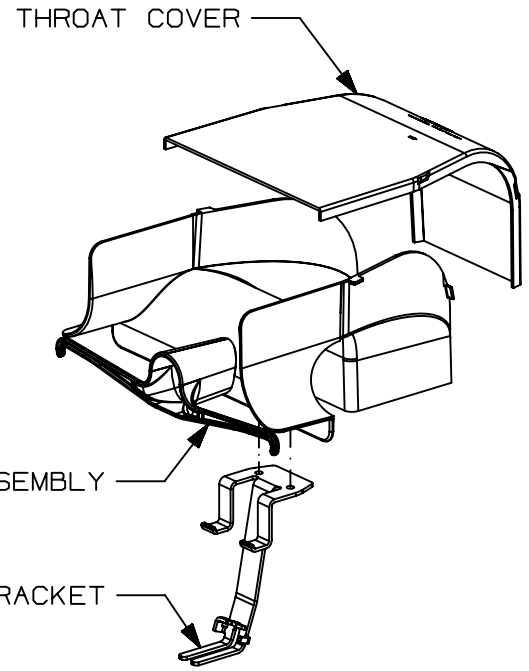
THIS COPY IS PROVIDED ON A RESTRICTED BASIS AND IS NOT TO BE USED IN ANY WAY DETRIMENTAL TO THE INTERESTS OF PANDUIT CORP.

PANDUIT PART NUMBER	WEIGHT	MATERIAL
FRSPJ4X4**	2.0 LB/EACH (907g/EACH)	ABS-STEEL
FRSPJ4X4L**	2.0 LB/EACH (907g/EACH)	PC/ABS-STEEL



NOTES:

- SEE CURRENT CATALOG FOR ADDITIONAL PART SUFFIXES TO INDICATE COLOR AND/OR PACKAGE QUANTITY.
- THE FIBERRUNNER SPILL-OVER JUNCTION WITH 4x4 EXIT INCLUDES:
ONE (1) BASE ASSEMBLY,
ONE (1) THROAT COVER,
ONE (1) SUPPORT BRACKET,
ONE (1) 1/4-20 T-BOLT,
ONE (1) 1/4-20 HEX KEPS LOCK NUT,
TWO (2) 1/4-14x1/2 HEX WASHER HEAD TAPPING SCREWS
- DIMENSIONS IN PARENTEHESES ARE IN METRIC.



B

B

A

A

TITLE		FIBERRUNNER SPILL-OVER JUNCTION WITH 4x4 EXIT (FRSPJ4X4**, FRSPJ4X4L**)		
ITEM REVISION NAME		D39851BZ/00		
DATASET FILE NAME		D39851BZ_DC/01A		
UNLESS OTHERWISE SPECIFIED, DIMENSIONAL TOLERANCES ARE:				
(.X) ± .03 (.8) (.XXX) ± .03 (.XX) ± .03 (.8) ANGLES ±				
DRAWING NUMBER:		39851-23		
DRAWN BY	DATE	CHK	SCALE	SIZE
MSO	7-6-09	EB	NONE	A

REV	DATE	BY	CHK	APR	DESCRIPTION	ECN
01A	1-15-20	MES	DWR	DWR	A. ADDED FRSPJ4X4L** PART NUMBER	V09002DZ/01

2

1

N\GLOBAL_ASIZE