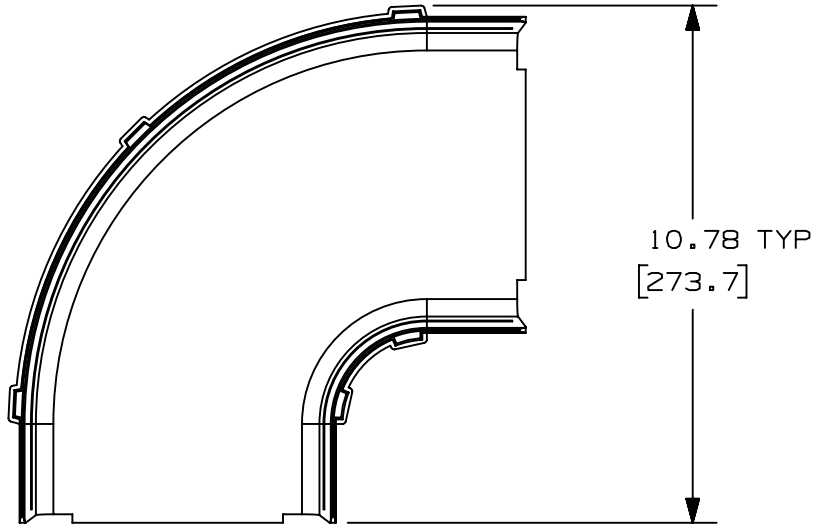


THIS COPY IS PROVIDED ON A RESTRICTED BASIS AND IS NOT TO BE USED IN ANY WAY DETRIMENTAL TO THE INTERESTS OF PANDUIT CORP.

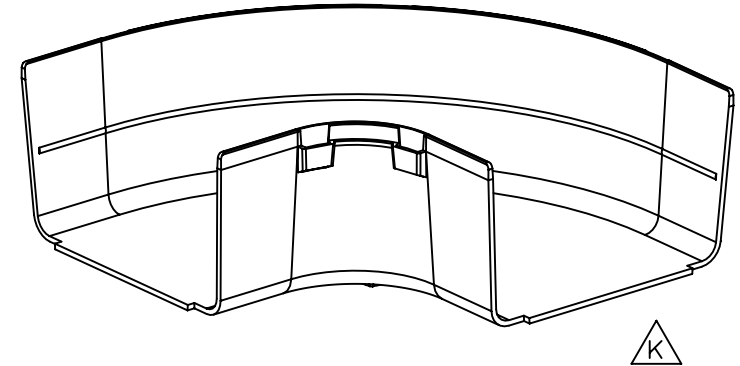
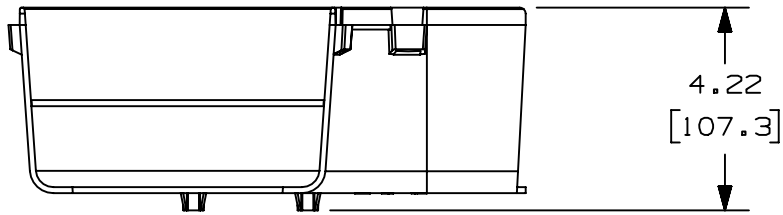


| PANDUIT PART NUMBER | WEIGHT | MATERIAL |
|---------------------|----------------------------|----------|
| FRAA6X4** | 0.8 LB/EACH (363g/EACH) | ABS |
| FRAA6X4L** | 0.8 LB/EACH (363g/EACH) | PC/ABS |



NOTES:

1. SEE CURRENT CATALOG FOR ADDITIONAL PART SUFFIXES TO INDICATE COLOR AND/OR PACKAGE QUANTITY.
2. THE FIBERRUNNER 6x4 HORIZONTAL RIGHT ANGLE FITTING IS DESIGNED WITH A MINIMUM 2" (50.8) BEND RADIUS TO PROTECT FIBER OPTIC CABLES.
3. DIMENSIONS IN PARENTHESES ARE IN METRIC.



| REV | DATE | BY | CHK | APR | DESCRIPTION | ECN |
|-----|----------|-----|------|-----|---|-------------|
| 05A | 1-16-20 | MES | DWR | DWR | L. ADDED FRAA6X4L** PART NUMBER | V09002DZ/01 |
| 4 | 05-10-13 | JBN | RTFI | RN | K. UPDATED DRAWING BORDER & TITLE BLOCK | 37185-60 |

| | |
|---|--------------------|
| TITLE FIBERRUNNER 6X4 HORIZONTAL RIGHT ANGLE FITTING FRAA6X4**, FRAA6X4L** CUSTOMER DRAWING | |
| ITEM REVISION NAME D37185EN/03 | |
| DATASET FILE NAME D37185EN_DC/05A | |
| UNLESS OTHERWISE SPECIFIED, DIMENSIONAL TOLERANCES ARE: IN [mm] | |
| .X ± .XX ± .03 [.8] | .XXX ± ANGLES ± |
| THIRD ANGLE PROJECTION | |
| MATERIAL: SEE PART NUMBER TABLE ABOVE | |
| DRAWING NUMBER: 37185-60 | |
| DRAWN BY REWE | DATE 04-28-00 |
| CHK HIW | SCALE NONE |
| SHT 1 OF 1 | |
| SIZE A | |

D10100DA/15