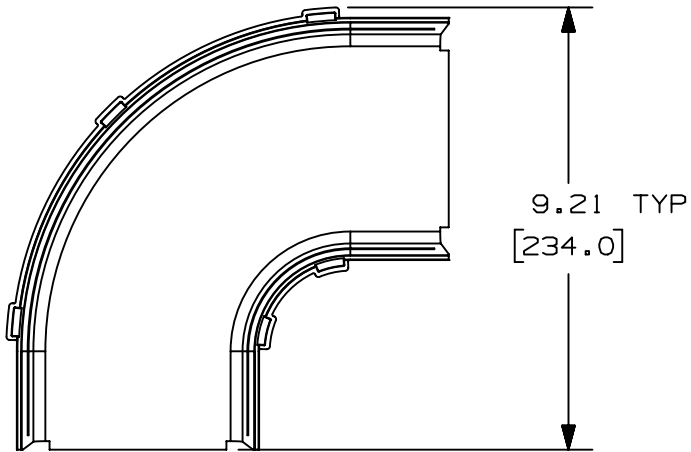


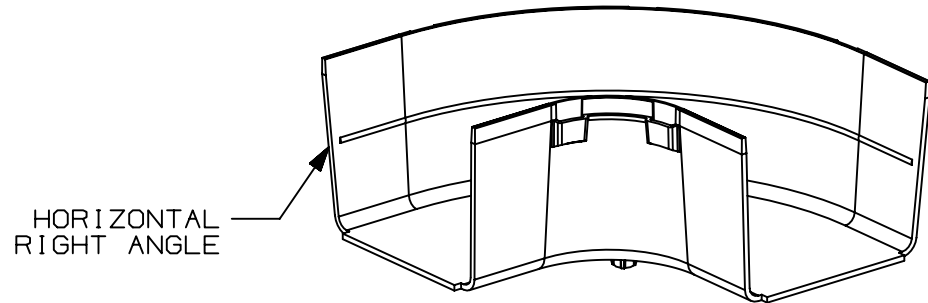
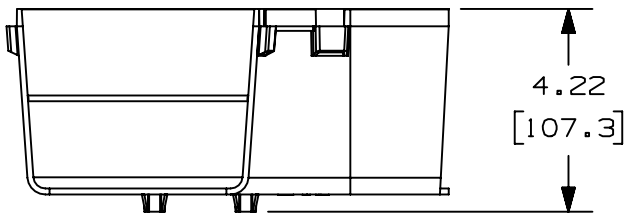
THIS COPY IS PROVIDED ON A RESTRICTED BASIS AND IS NOT TO BE USED IN ANY WAY DETRIMENTAL TO THE INTERESTS OF PANDUIT CORP.

**NOTES:**

1. SEE CURRENT CATALOG FOR ADDITIONAL PART SUFFIXES TO INDICATE COLOR AND/OR PACKAGE QUANTITY.
2. THE FIBERRUNNER 4x4 HORIZONTAL RIGHT ANGLE FITTING IS DESIGNED WITH A MINIMUM 2" (50.8) BEND RADIUS TO PROTECT FIBER OPTIC CABLES.
3. PARTS SUPPLIED:  
(1) - HORIZONTAL RIGHT ANGLE
4. DIMENSIONS IN PARENTHESES ARE IN METRIC.



PANDUIT PART NUMBER	WEIGHT	MATERIAL
FRRA4X4**	0.69 LB/EACH (315g/EACH)	ABS
FRRA4X4L**	0.69 LB/EACH (315g/EACH)	PC/ABS



REV	DATE	BY	CHK	APR	DESCRIPTION	ECN
08A	8/27/20	MEX-JAGC	DWR	DWR	ADDED PART NUMBER	V09002DZ/11

TITLE <b>FIBERRUNNER 4X4 HORIZONTAL RIGHT ANGLE FITTING (FRRA4X4**, FRRA4X4L**)</b>		<b>PANDUIT</b>
CUSTOMER DRAWING		
ITEM REVISION NAME D37847BF/08		DRAWING NUMBER: 37847-54
DATASET FILE NAME D37847BF_DC_FRRA4X4/08A		
MATERIAL: SEE PART NUMBER TABLE ABOVE		THIRD ANGLE PROJECTION
DRAWN BY: JHNU DATE: 07-16-01 CHK: RPA SCALE: NONE		
SHT 1 OF 1		SIZE: A

D10100DA/15