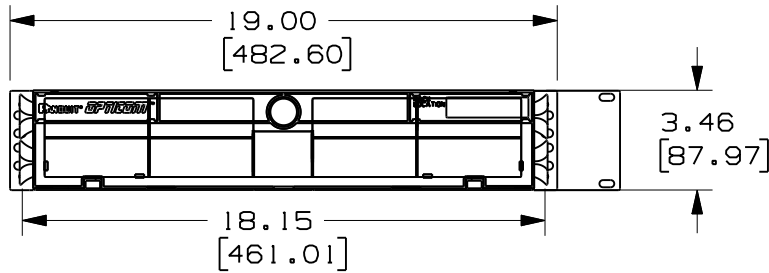
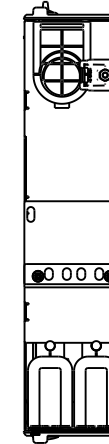
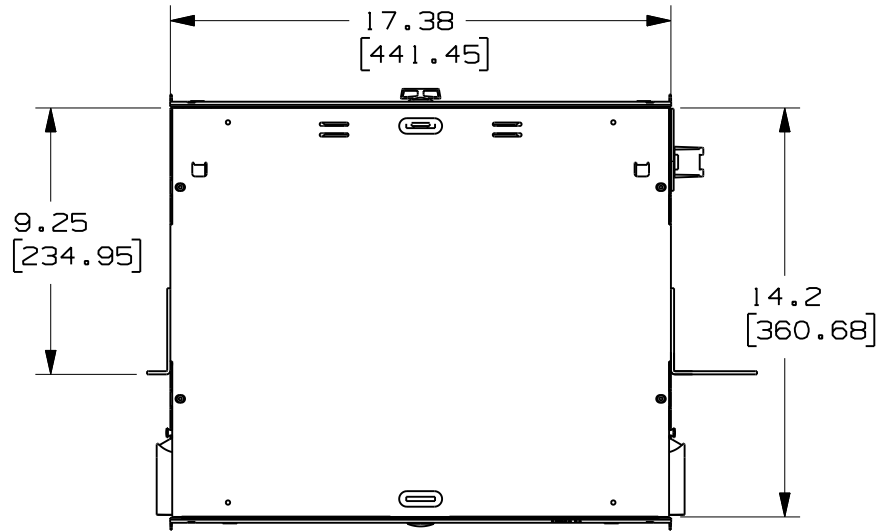


THIS COPY IS PROVIDED ON A RESTRICTED BASIS AND IS NOT TO BE USED IN ANY WAY DETRIMENTAL TO THE INTERESTS OF PANDUIT CORP.



MODEL FILENAME V10510AC_FRME2_MAIN_ASSY_15.PRT

CAD FILENAME/LAYERS V10510AC_DC_15A.PRT

PANDUIT CORP. TINLEY PARK, ILLINOIS

FIBER RACK MOUNT ENCLOSURE
(FRME2U) CUSTOMER DRAWING

UNLESS OTHERWISE SPECIFIED, DIMENSIONAL TOLERANCES ARE:
 INCHES X.X +/- 0.03 X.XX +/- 0.015 X.XXX +/- 0.005
 [METRIC - MILLIMETER] X.X +/- 0.8 X.XX +/- 0.4 X.XX +/- 0.13
 ANGLE +/- 1°

UNLESS OTHERWISE SPECIFIED,
ALL DIMENSIONS ARE GIVEN
IN INCHES, THIRD ANGLE PROJECTION.

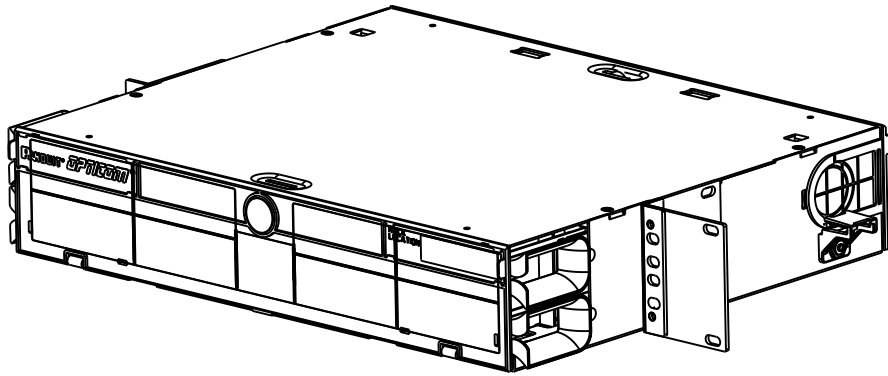
REV	DATE	BY	CHK	DESCRIPTION	ECN	R	CUST	SUP	OTH
02	5/26/09	JLG		SEE SHEET 1 OF 2 FOR REVISIONS	10510-11				
01	3/19/09	JLG	WJM	SEE SHEET 1 OF 2 FOR REVISIONS	10510-11				
00	11/12/07	JLG	WJM	SEE SHEET 1 OF 2 FOR REVISIONS	10510-11				

DRAWN BY JDWE
DATE 11/12/07
CHK'D WJM

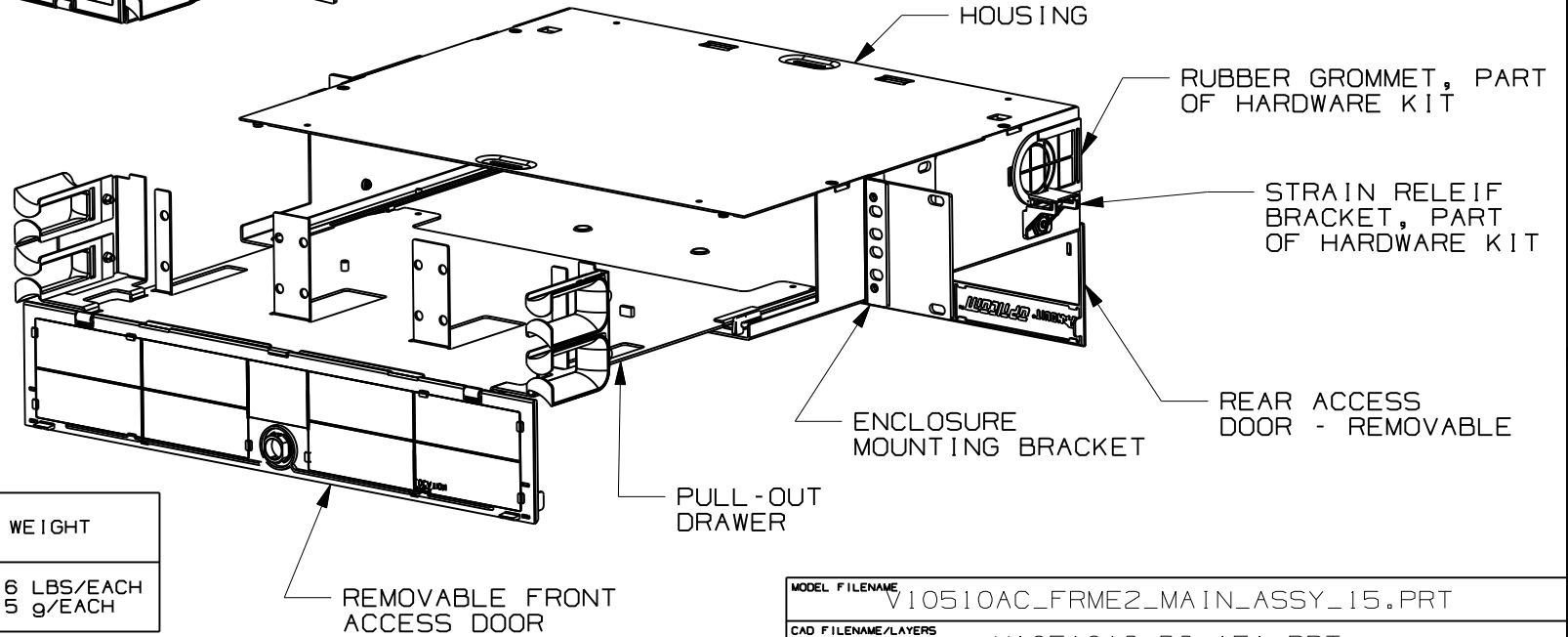
MAT'L: SEE NOTES

SCALE NONE
DRAWING NO. 10510-11
SHT 2 OF 2
DWG A SIZE

THIS COPY IS PROVIDED ON A RESTRICTED BASIS AND IS NOT TO BE USED IN ANY WAY DETRIMENTAL TO THE INTERESTS OF PANDUIT CORP.



- NOTES:
1. SEE CATALOG FOR COMPLETE LIST OF PARTS APPLICABLE FOR USE WITH THIS PART.
 2. DIMENSIONS IN PARENTHESIS ARE METRIC.
 3. ENCLOSURE CAN BE MOUNTED ON A 19" OR 23" STANDARD EIA RACK.
 4. COMPLETE ENCLOSURE IS MADE FROM 16 GAUGE GALVANNEALED STEEL.
 5. ENCLOSURE IS PAINTED BLACK.
 6. ENCLOSURE IS SUPPLIED WITH (1) HARDWARE KIT AND PORT I.D. LABEL.
 7. PART CAN HOLD UP TO 6 FAPS.



PANDUIT PART NO.	WEIGHT
FRME2U	12.6 LBS/EACH 5715 g/EACH

MODEL FILENAME V10510AC_FRME2_MAIN_ASSY_15.PRT
 CAD FILENAME/LAYERS V10510AC_DC_15A.PRT

PANDUIT CORP. TINLEY PARK, ILLINOIS

FIBER RACK MOUNT ENCLOSURE (FRME2U) CUSTOMER DRAWING

REV	DATE	BY	CHK	DESCRIPTION	ECN	R	CUST	SUP	OTH
02	5/26/09	JLG		REVISED FOR CURRENT VERSION	10510-11				
01	3/19/09	JLG	WJM	REVISED FOR CURRENT VERSION	10510-11				
00	11/12/07	JLG	WJM	RELEASED TO PRODUCTION	10510-11				

UNLESS OTHERWISE SPECIFIED, DIMENSIONAL TOLERANCES ARE: INCHES X.X +/- 0.03 X.XX +/- 0.015 X.XXX +/- 0.005		[METRIC - MILLIMETER] X.X +/- 0.8 X.X +/- 0.4 X.XX +/- 0.13	ANGLE +/- 1°	UNLESS OTHERWISE SPECIFIED, ALL DIMENSIONS ARE GIVEN IN INCHES, THIRD ANGLE PROJECTION.
DRAWN BY JLG	MAT'L:	SEE NOTES		SCALE NONE
DATE 11/12/07	CHK'D WJM			DRAWING NO. 10510-11 SHT 1 OF 2
				DWG A SIZE