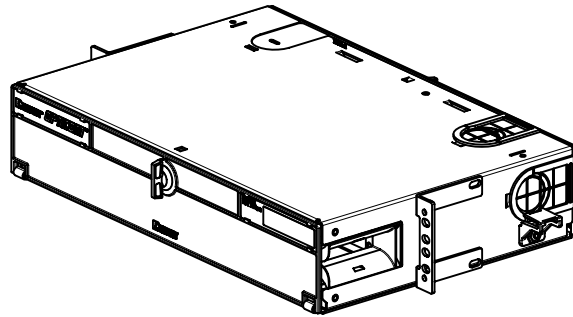


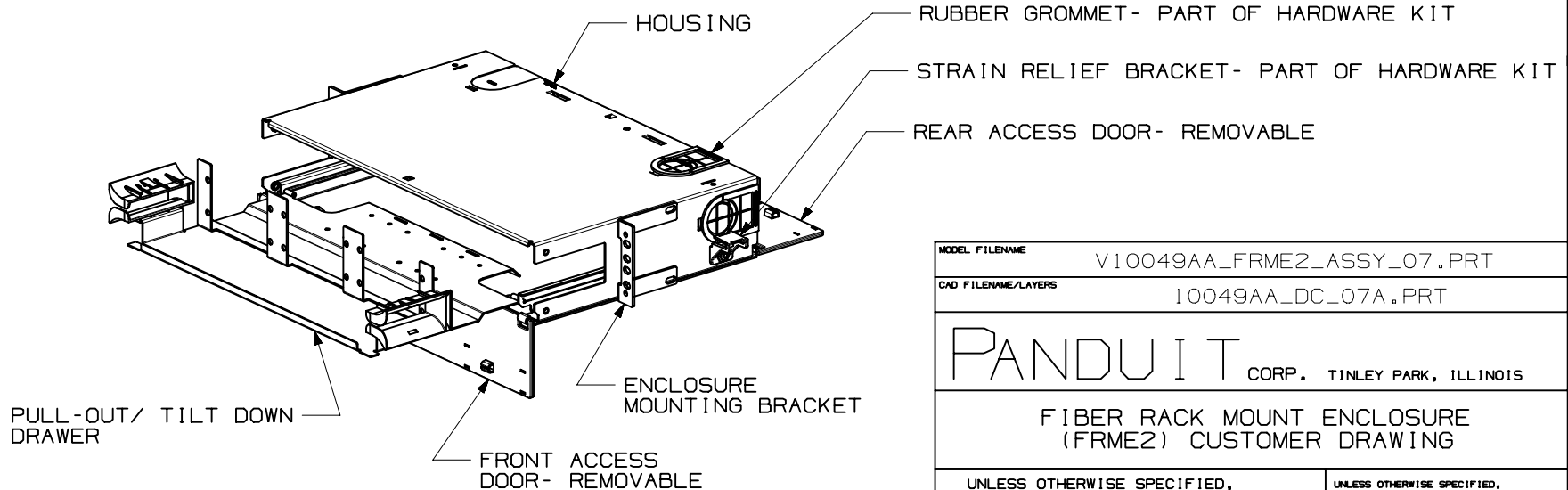
THIS COPY IS PROVIDED ON A RESTRICTED BASIS AND IS NOT TO BE USED IN ANY WAY DETRIMENTAL TO THE INTERESTS OF PANDUIT CORP.

NOTES:

1. VISIT OUR ON-LINE CATALOG AT [WWW.PANDUIT.COM](http://WWW.PANDUIT.COM) FOR A CURRENT LIST OF PARTS APPLICABLE FOR USE WITH THIS PART.
2. DIMENSIONS IN PARENTHESES ARE IN METRIC.
3. ENCLOSURE CAN BE MOUNTED ON A 19" OR 23" STANDARD EIA RACK.
4. ENCLOSURE IS PAINTED BLACK
5. ENCLOSURE IS SUPPLIED WITH (1) HARDWARE KIT AND PORT I.D. LABEL.
6. PART CAN HOLD UP TO 6 FAPS.



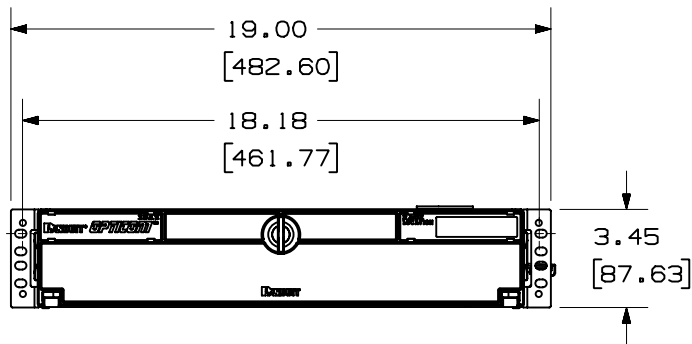
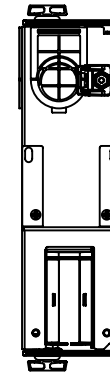
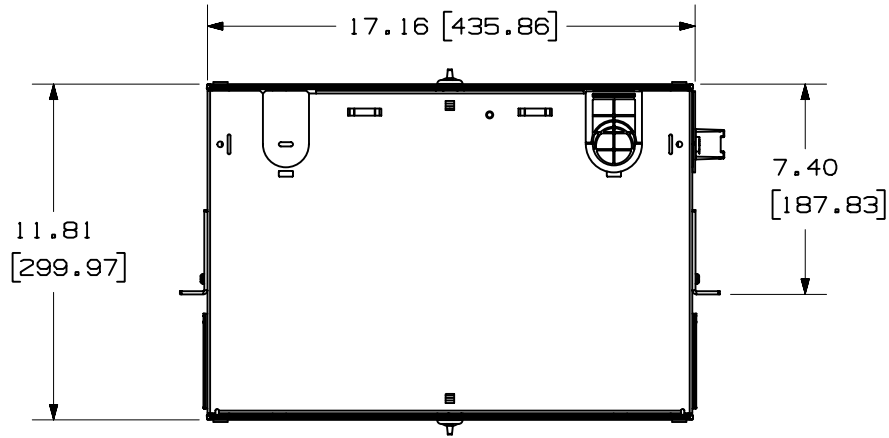
PANDUIT P/N	WEIGHT
FRME2	12.9 LB/EA 5851.3 G/EA



MODEL FILENAME		V10049AA_FRME2_ASSY_07.PRT	
CAD FILENAME/LAYERS		10049AA_DC_07A.PRT	
<h1>PANDUIT</h1> CORP. TINLEY PARK, ILLINOIS			
FIBER RACK MOUNT ENCLOSURE (FRME2) CUSTOMER DRAWING			
UNLESS OTHERWISE SPECIFIED, DIMENSIONAL TOLERANCES ARE:		UNLESS OTHERWISE SPECIFIED, ALL DIMENSIONS ARE GIVEN IN INCHES, THIRD ANGLE PROJECTION.	
(.X) ± (.XXX) ± (.XX) ±.03 (.8) ANGLES ±		SCALE 1/6	
DRAWN BY JDWE	MAT'L:	ENCLOSURE - STEEL FRONT COVER- PC REAR COVER- ABS	DRAWING NO. 10049-48
DATE 2-8-02			SHEET 1 OF 2
CHK'D AFW			DWG A SIZE

2	5-16-05	JDWE		SEE SHEET 2 OF 2 FOR REVISIONS	10049-48					
1	2-8-02	JDWE	AFW	SEE SHEET 2 OF 2 FOR REVISIONS	10049-48	JWI				
R	2-8-02	JDWE	AFW	SEE SHEET 2 OF 2 FOR REVISIONS	10049-48	JWI				
REV	DATE	BY	CHK	DESCRIPTION	ECN	R	CUST	SUP	OTH	

THIS COPY IS PROVIDED ON A RESTRICTED BASIS AND IS NOT TO BE USED IN ANY WAY DETRIMENTAL TO THE INTERESTS OF PANDUIT CORP.



REV	DATE	BY	CHK	DESCRIPTION	ECN	R	CUST	SUP	OTH
2	5-16-05	JDWE		B. UPDATED GEOMETRY	10049-48				
1	3-12-02	JDWE	AFW	A. CHANGED SHEET NUMBERS.	10049-48	JWI			
R	2-8-02	JDWE	AFW	RELEASED TO PRODUCTION	10049-48	JWI			

MODEL FILENAME V10049AA\_FRME2\_ASSY\_07.PRT

CAD FILENAME/LAYERS V10049AA\_DC\_07A.PRT

**PANDUIT** CORP. TINLEY PARK, ILLINOIS

FIBER RACK MOUNT ENCLOSURE, 36 PORT (FRME2) CUSTOMER DRAWING

UNLESS OTHERWISE SPECIFIED, DIMENSIONAL TOLERANCES ARE:  
 (.X) ± (.XXX) ±  
 (.XX) ±.03 (.8) ANGLES ±

UNLESS OTHERWISE SPECIFIED, ALL DIMENSIONS ARE GIVEN IN INCHES, THIRD ANGLE PROJECTION.

DRAWN BY JDWE

MAT'L:

SCALE 1:6

DATE 2-8-02

SEE NOTES

DRAWING NO. 10049-48

DWG A

CHK'D AFW

SHEET 2 OF 2

SIZE