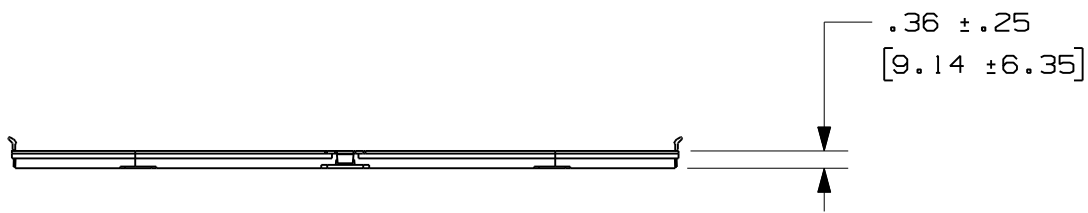
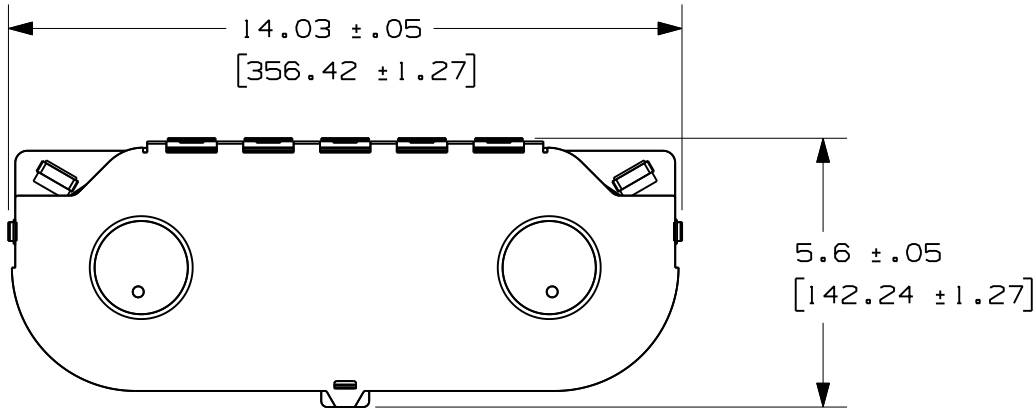
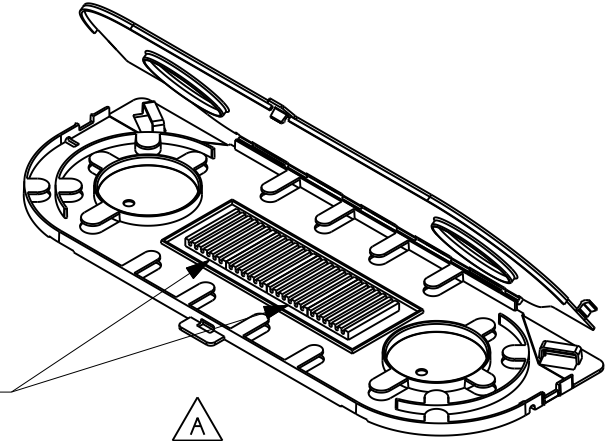


THIS COPY IS PROVIDED ON A RESTRICTED BASIS AND IS NOT TO BE USED IN ANY WAY DETRIMENTAL TO THE INTERESTS OF PANDUIT CORP.



PANDUIT PART NO.	WEIGHT
FOSMF	0.5 LBS/EACH 0.23 Kg/EACH

- SUPPLIED COMPONENTS:
 1. (4) FUSION SPLICE CHIPS
 2. (1) 24-PORT GRID LABEL



FUSION SPLICE CHIPS

MODEL FILENAME V10422AT_SPLICETRAY_ASSY_13.PRT

CAD FILENAME/LAYERS V10422AT_DC_13A.PRT

PANDUIT CORP. TINLEY PARK, ILLINOIS
 FIBER OPTIC SPLICE MODULE - FUSION (FOSMF) CUSTOMER DRAWING

UNLESS OTHERWISE SPECIFIED, DIMENSIONAL TOLERANCES ARE:
 INCHES X.X +/- 0.03 X.XX +/- 0.015 X.XXX +/- 0.005 [METRIC - MILLIMETER] X.X +/- 0.8 X.XX +/- 0.4 X.XX +/- 0.13 ANGLE +/- 1°
 UNLESS OTHERWISE SPECIFIED, ALL DIMENSIONS ARE GIVEN IN INCHES, THIRD ANGLE PROJECTION.

REV	DATE	BY	CHK	DESCRIPTION	ECN	R	CUST	SUP	OTH
13A	6-6-07	MAV		A. UPDATED GEOMETRY & CAD REVISION	10422-41				
00	11-6-07	MAV	TCB	RELEASED	10422-41				

DRAWN BY MAV	MAT'L: SEE NOTES	SCALE NONE
DATE 11-6-07		DRAWING NO. 10422-41
CHK'D TCB		DWG A SIZE