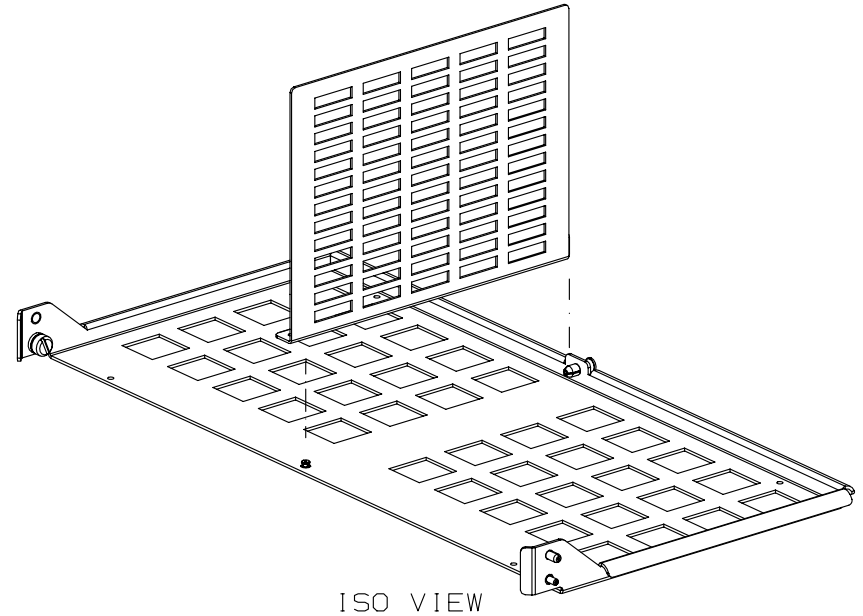
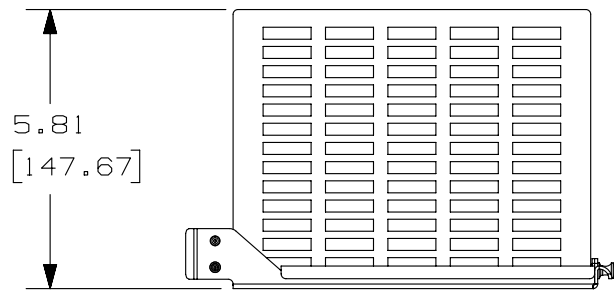
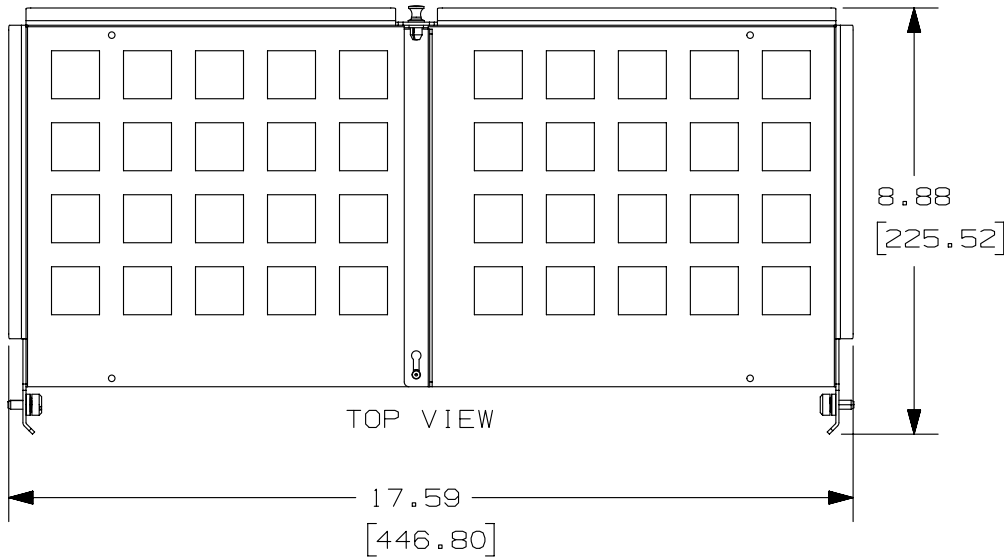


THIS COPY IS PROVIDED ON A RESTRICTED BASIS AND IS NOT TO BE USED IN ANY WAY DETRIMENTAL TO THE INTERESTS OF PANDUIT CORP.

NOTES:

1. SEE CATALOG FOR COMPLETE LIST OF PARTS APPLICABLE FOR USE WITH THIS PART.
2. DIMENSIONS IN BRACKETS ARE METRIC.
3. MATERIAL: GALVANNEALED STEEL
COLOR: BLACK
WEIGHT: 3.55 lb (1.61 kg)
4. INCLUDES QUICK-RELEASE DIVIDER WALL TO PREVENT FURCATION TANGLING.
5. TOOLLESS MOUNTING TO REAR OF HD FLEX ENCLOSURE.
6. ALL MATERIALS AND COMPONENTS USED MEET THE MATERIAL RESTRICTIONS OF RoHS (EUROPEAN DIRECTIVE 2011/65/EC ON THE RESTRICTION OF HAZARDOUS SUBSTANCES) AS PROPOSED BY THE RoHS TECHNICAL ADAPTATION COMMITTEE.



						TITLE		HD FLEX 4RU REAR SLACK MANAGEMENT PLATE			
						CUSTOMER DRAWING					
						ITEM REVISION NAME		12F187JH/00		PANDUIT	
						DATASET FILE NAME		12F187JH_DC/00A			
						UNLESS OTHERWISE SPECIFIED, DIMENSIONAL TOLERANCES ARE: IN (mm)		PART NO.		FLEX-PLATE4U	
						.X ± .03 (0.8)		.XXX ± .010 (0.3)		DRAWING NUMBER: 12F187JH-DC	
						.XX ± .03 (0.8) ANGLES ±		THIRD ANGLE PROJECTION			
00	01-13-15	SAT	BSN	TMK	RELEASED TO PRODUCTION	12F187JH-DC					
REV	DATE	BY	CHK	APR	DESCRIPTION	ECN	DRAWN BY	DATE	CHK	SCALE	SIZE
							SAT	01-13-15	SAT	1:4	A