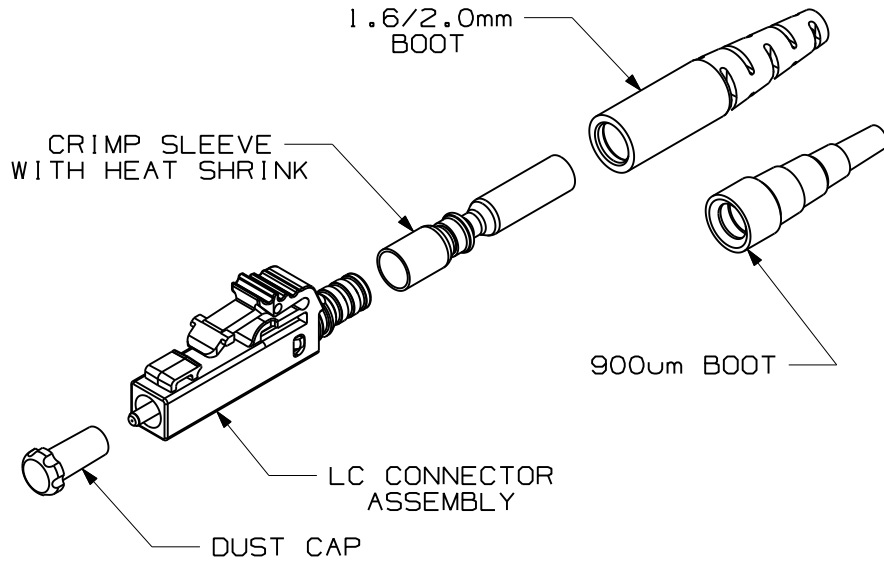


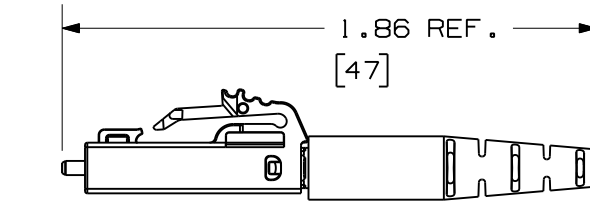
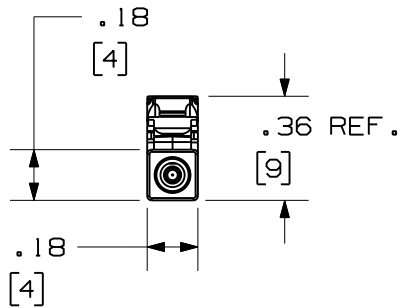
THIS COPY IS PROVIDED ON A RESTRICTED BASIS AND IS NOT TO BE USED IN ANY WAY DETRIMENTAL TO THE INTERESTS OF PANDUIT CORP.



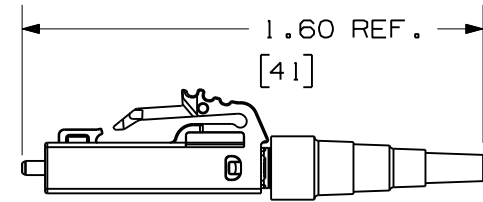
PANDUIT PART NUMBER	TYPE	FOR USE WITH
FLCSSBUY	SINGLEMODE	9/125um FIBER
FLCSMBLY	MULTIMODE	50/125um FIBER
FLCSMEIY	MULTIMODE	62.5/125um FIBER

NOTES:


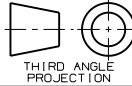
1. SEE CATALOG FOR ADDITIONAL PART NUMBER SUFFIXES TO INDICATE COLOR AND/OR PACKAGE QUANTITY.
2. ACCEPTS 1.6/2.0mm OR 900um BUFFERED, 9/125um SINGLEMODE, 50/125um MULTIMODE OR 62.5/125um MULTIMODE GLASS OPTICAL FIBER.
3. FULLY COMPLIES WITH THE FIBER OPTIC CONNECTOR PERFORMANCE REQUIREMENTS AS SPECIFIED BY TIA/EIA-568-B.3.
4. MATERIAL:  
 BODY/HARDWARE: PLASTIC  
 BOOT: THERMOPLASTIC RUBBER  
 FERRULE: ZIRCONIA CERAMIC
5. DIMENSIONS IN BRACKETS ARE METRIC [mm].
6. WEIGHT PER 10 PIECES: .037 lb [16.7g]



LC CONNECTOR WITH 1.6/2.0mm BOOT



LC CONNECTOR WITH 900um BOOT

REV	DATE	BY	CHK	DESCRIPTION	ECN	R	CUST	SUP	OTH	FIBER OPTIC SINGLEMODE/MULTIMODE SIMPLEX LC CONNECTOR CUSTOMER DRAWING		
2	09-01-11	MC	MTV	RELEASED TO PRODUCTION	01371-49	MTV	RWB			 PANDUIT™ CORP. TINLEY PARK, ILL 60477		
										 THIRD ANGLE PROJECTION	ALL DIMENSIONS ARE GIVEN IN INCHES UNLESS OTHERWISE SPECIFIED. DIMENSIONAL TOLERANCES ARE: (.X) ±.03   (.XXX) ±.010   (.3) ±.015 ANGLES	DRAWING FILENAME M01371AB_DC-Y/10A
										SCALE NONE	PART NO. FLCSSBUY FLCSMBLY/FLCSMEIY	
										DRAWING NO. 01371-49	SIZE A	
										DRAWN BY: MC DATE: 03-07-07 CHK'D: JDK	REVIEW DRAWING NUMBERS:  AS NOTED	