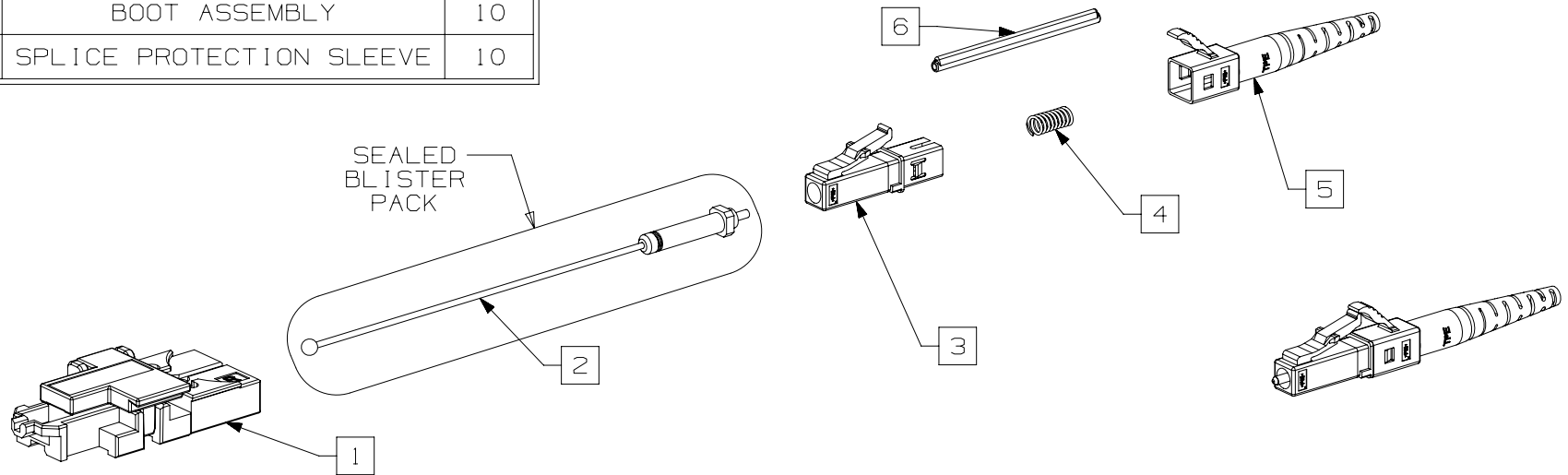


THIS COPY IS PROVIDED ON A RESTRICTED BASIS AND IS NOT TO BE USED IN ANY WAY DETRIMENTAL TO THE INTERESTS OF PANDUIT CORP.

ITEM NO.	DESCRIPTION	QTY.
1	CONNECTOR STUB HOLDER	1
2	FERRULE SUBASSEMBLY (IN BLISTER PACK)	10
3	FRONT HOUSING	10
4	SPRING	10
5	BOOT ASSEMBLY	10
6	SPLICE PROTECTION SLEEVE	10

- NOTES:
- VISIT OUR ON-LINE CATALOG AT WWW.PANDUIT.COM FOR A LIST OF CURRENT PARTS APPLICABLE FOR USE WITH THIS PRODUCT.
  - EACH BOX CONTAINS:
    - A. TEN (10) CONNECTORS
    - B. ONE (1) CONNECTOR STUB HOLDER
    - C. INSTALLATION INSTRUCTIONS
  - WEIGHT OF BOX: 2.6 oz (0.16 lbs)
  - TIA/EIA-604 FOCIS-10 COMPATIBLE.
  - MEETS OR EXCEEDS TIA/EIA-568-D.3 PERFORMANCE REQUIREMENTS.
  - COMPATIBLE WITH SUMITOMO FUSION SPLICERS.



PART NUMBER	DESCRIPTION	BOOT COLOR
FLCS2/950CU9BU	FIBER LC-UPC SPLICE-ON CONNECTOR FOR 250/900um FIBER, 9um SINGLEMODE	BLUE
FLCS2/950CA9AG	FIBER LC-APC SPLICE-ON CONNECTOR FOR 250/900um FIBER, 9um SINGLEMODE	GREEN
FLCS2/950CPXAQ	FIBER LC-PC SPLICE-ON CONNECTOR FOR 250/900um FIBER, 50um MULTIMODE	AQUA

PART NUMBER		SEE TABLE 2	
TITLE			
FIBER LC SPLICE-ON CONNECTOR FOR 250/900um FIBER			
CUSTOMER DRAWING			
ITEM REVISION NAME		18F274BE/00	
DATASET FILE NAME		18F274BE_DC/00A	
		THIRD ANGLE PROJECTION	
MATERIAL		MULTIPLE	
DRAWING NUMBER		18F274BE - DC	
DRAWN BY	DATE	CHK	SCALE
JSP	7/25/18	MSE	NONE
SHEET 1 OF 1			SIZE
			A

A-SIZE CUSTOMER