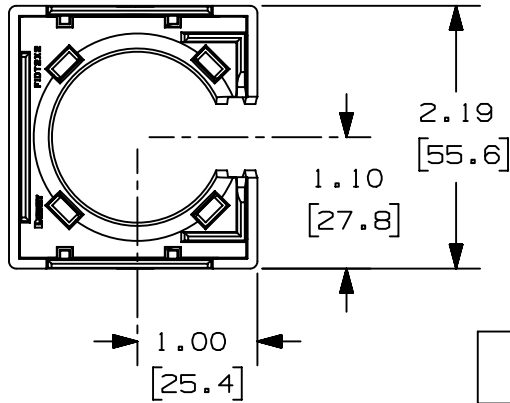


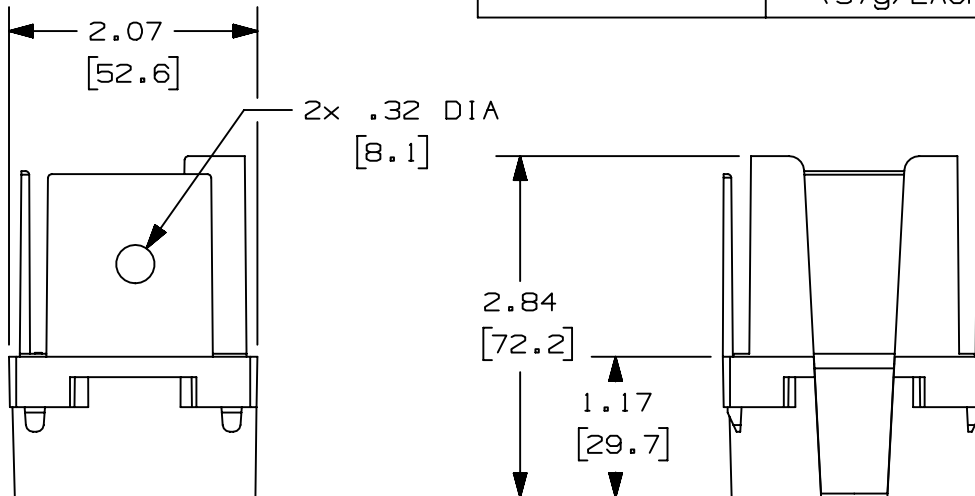
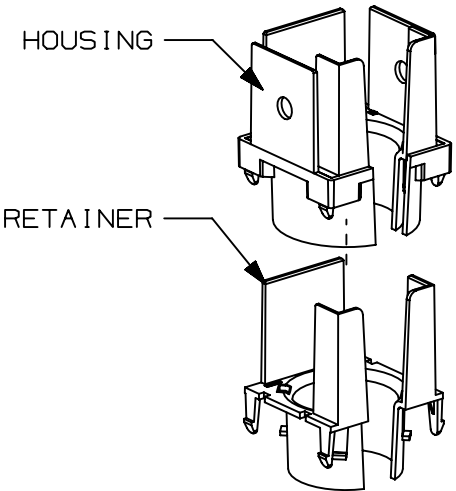
THIS COPY IS PROVIDED ON A RESTRICTED BASIS AND IS NOT TO BE USED IN ANY WAY DETRIMENTAL TO THE INTERESTS OF PANDUIT CORP.

NOTES:

1. SEE CURRENT CATALOG FOR ADDITIONAL PART SUFFIXES TO INDICATE COLOR AND/OR PACKAGE QUANTITY.
2. THE FIBER-DUCT 2x2 AND FIBERRUNNER 2x2 1-PORT SPILL-OUT TO 1 1/2" I.D. CORRUGATED LOOM TUBING IS USED TO CREATE A SINGLE PORT FLEXIBLE SPILL-OUT INTO EQUIPMENT FRAMES OR TELECOMMUNICATIONS CABINETS. THE SPILL-OUT ACCEPTS ONE (1) PIECE OF 1 1/2" (38.1) I.D. SLIT CORRUGATED LOOM TUBING (CLT150F-X**, CLT150F-T20)
3. DIMENSIONS IN PARENTHESES ARE IN METRIC.
4. PARTS SUPPLIED:
 (1) - HOUSING
 (1) - RETAINER



PANDUIT PART NUMBER	WEIGHT	MATERIAL
FIDT2X2**	0.08 LB/EACH (37g/EACH)	ABS
FIDT2X2L**	0.08 LB/EACH (37g/EACH)	PC/ABS



TITLE
**FIBER-DUCT 2X2 AND FIBERRUNNER 2X2 1-PORT
 SPILL-OUT TO 1-1/2" I.D. CORRUGATED LOOM TUBING
 (FIDT2X2**, FIDT2X2L**)**
 CUSTOMER DRAWING

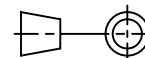
ITEM REVISION NAME
D38388BF/01

DATASET FILE NAME
D38388BF_DC/01C

PANDUIT

MATERIAL:
**SEE PART NUMBER
 TABLE ABOVE**

DRAWING NUMBER:
38388-03



THIRD ANGLE
 PROJECTION

REV	DATE	BY	CHK	APR	DESCRIPTION	ECN
03B	8/20/20	MEX-JAGC	DWR	DWR	ADDED PART NUMBER	V09002DZ/11
3	05-06-13	JBN	RTFI	RN	UPDATED DRAWING BORDER & TITLE BLOCK	38388-03

DRAWN BY	DATE	CHK	SCALE	SHT 1 OF 1	SIZE
JHNU	05-13-02	WAB	NONE		A

D10100DA/15