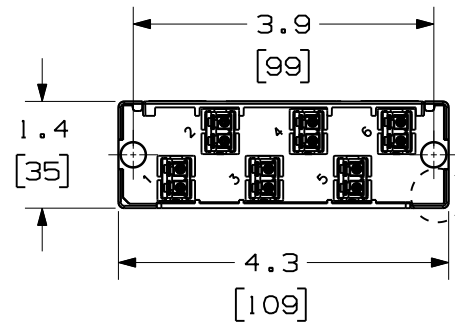
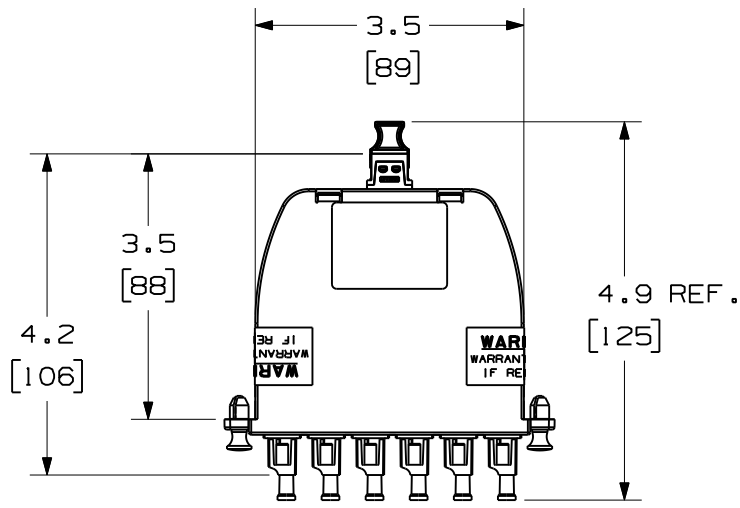


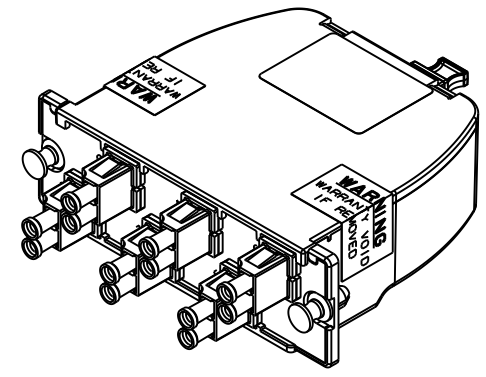
THIS COPY IS PROVIDED ON A RESTRICTED BASIS AND IS NOT TO BE USED IN ANY WAY DETRIMENTAL TO THE INTERESTS OF PANDUIT CORP.



SEE SHEETS 2 AND 3 FOR ARTWORK DETAILS

FRONT VIEW
SHOWN W/O DUSTCAPS

- NOTES:
1. SEE CURRENT CATALOG FOR PART NUMBER SUFFIXES TO INDICATE COLOR AND/OR PACKAGE QUANTITIES.
 2. SEE CATALOG FOR COMPLETE LIST OF PARTS APPLICABLE FOR USE WITH THIS PRODUCT.
 3. PART NUMBERS:
 - A. SEE SHEET 2 FOR METHOD A.
 - B. SEE SHEET 3 FOR MODIFIED METHOD A, PAIR FLIPPED.
 4. METHOD A CASSETTES COMPLY WITH ANSI/TIA-568-C.0. SEE ANSI/TIA-568-C.0 FOR POLARITY DETAILS AND EXAMPLE OF A BASIC LINK.
 5. MATERIALS:
 - A. BOX AND LID: PLASTIC
 - B. ADAPTER: COMPOSITE PLASTIC
 6. CASSETTE WEIGHT: 3.53oz [100g]
 7. DIMENSIONS IN BRACKETS ARE METRIC.



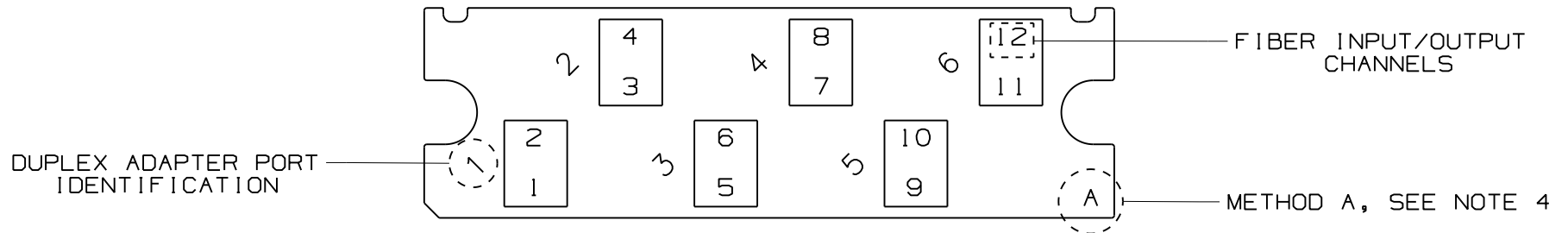
TITLE		12 FIBER DUPLEX LC CASSETTE METHOD A AND MODIFIED METHOD A, PAIR FLIPPED	
CUSTOMER DRAWING			
ITEM REVISION NAME		10F113AD/00	
DATASET FILE NAME		10F113AD_DC/00A	
UNLESS OTHERWISE SPECIFIED, DIMENSIONAL TOLERANCES ARE: IN [mm]		MATERIAL:	
.x : .03 [.8] .xx : .01 [.25]		SEE NOTES	
.xxx : .005 [.127] ANGLES : 5 °		DRAWING NUMBER:	
THIRD ANGLE PROJECTION		10F113AD-DC	
DRAWN BY	DATE	CHK	SCALE
SAT	10-01-12	TMSE	NONE
SHT 1 OF 3		A	

REV	DATE	BY	CHK	APR	DESCRIPTION	ECN
R	10-10-12	SAT	TMSE		RELEASED TO PRODUCTION	10F113AD-DC

THIS COPY IS PROVIDED ON A RESTRICTED BASIS AND IS NOT TO BE USED IN ANY WAY DETRIMENTAL TO THE INTERESTS OF PANDUIT CORP.

12 FIBER DUPLEX LC CASSETTE - METHOD A

PART NUMBER	DESCRIPTION
FC2Z0-12-10AS	12 FIBER 50/125um OM4 OPTIMIZED
FC2ZN-12-10AS	12 FIBER 50/125um OM4
FC2X0-12-10AS	12 FIBER 50/125um OM3 OPTIMIZED
FC2XN-12-10AS	12 FIBER 50/125um OM3
FC25N-12-10AS	12 FIBER 50/125um OM2
FC26N-12-10AS	12 FIBER 62.5/125um OM1
FC29N-12-10AS	12 FIBER 9/125um OS1/OS2
FC2SA-12-10AS	12 FIBER 50/125um OM4+, SIGNATURE CORE



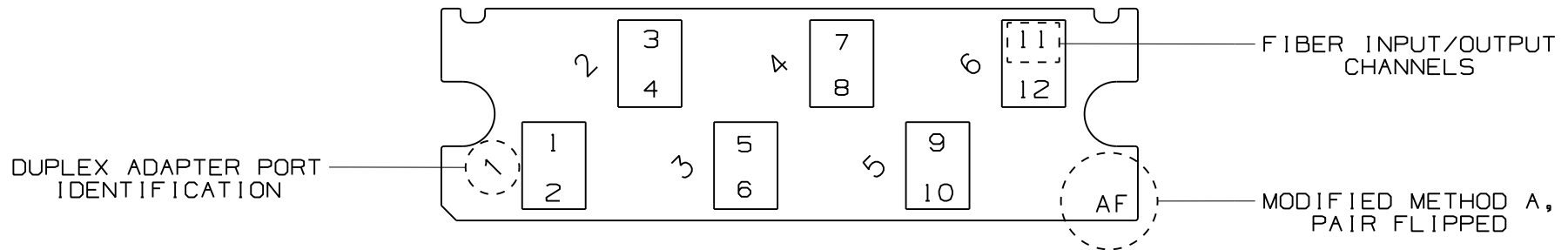
METHOD A - FIBER LAYOUT

REV	DATE	BY	CHK	APR	DESCRIPTION	ECN	DRAWN BY	DATE	CHK	SCALE	SHT 2 OF 3	SIZE
R	10-10-12	SAT	TMSE		RELEASED TO PRODUCTION	10F113AD-DC	SAT	10-01-12	TMSE	NONE		A

TITLE	
12 FIBER DUPLEX LC CASSETTE METHOD A	
CUSTOMER DRAWING	
ITEM REVISION NAME 10F113AD/00	PANDUIT TM
DATASET FILE NAME 10F113AD_DC/00A	
UNLESS OTHERWISE SPECIFIED, DIMENSIONAL TOLERANCES ARE: IN (mm)	
.x : .03 (.8) .xxx : .005 (.127)	SEE NOTES SHEET 1
.xx : .01 (.25) ANGLES : 5 °	
DRAWING NUMBER: 10F113AD-DC	
THIRD ANGLE PROJECTION	

THIS COPY IS PROVIDED ON A RESTRICTED BASIS AND IS NOT TO BE USED IN ANY WAY DETRIMENTAL TO THE INTERESTS OF PANDUIT CORP.

12 FIBER DUPLEX LC CASSETTE - MODIFIED METHOD A, PAIR FLIPPED	
PART NUMBER	DESCRIPTION
FC2Z0-12-10AF	12 FIBER 50/125um OM4 OPTIMIZED
FC2ZN-12-10AF	12 FIBER 50/125um OM4
FC2X0-12-10AF	12 FIBER 50/125um 10 GbE OM3 OPTIMIZED
FC2XN-12-10AF	12 FIBER 50/125um 10 GbE OM3
FC25N-12-10AF	12 FIBER 50/125um OM2
FC26N-12-10AF	12 FIBER 62.5/125um OM1
FC29N-12-10AF	12 FIBER 9/125um OS1
FC2SA-12-10AF	12 FIBER 50/125um OM4+, SIGNATURE CORE



MODIFIED METHOD A, PAIR FLIPPED - FIBER LAYOUT

REV	DATE	BY	CHK	APR	DESCRIPTION	ECN	DRAWN BY	DATE	CHK	SCALE	SHT 3 OF 3	SIZE
R	10-10-12	SAT	TMSE		RELEASED TO PRODUCTION	10F113AD-DC	SAT	10-01-12	TMSE	NONE		A

TITLE		12 FIBER DUPLEX LC CASSETTE MODIFIED METHOD A, PAIR FLIPPED	
CUSTOMER DRAWING			
ITEM REVISION NAME	10F113AD/00	PANDUIT TM	
DATASET FILE NAME	10F113AD_DC/00A		
UNLESS OTHERWISE SPECIFIED, DIMENSIONAL TOLERANCES ARE: IN (mm)		MATERIAL:	
.x : .03 (.8)	.xxx : .005 (.127)	SEE NOTES SHEET 1	
.xx : .01 (.25)	ANGLES : 5 °	DRAWING NUMBER:	
THIRD ANGLE PROJECTION		10F113AD-DC	