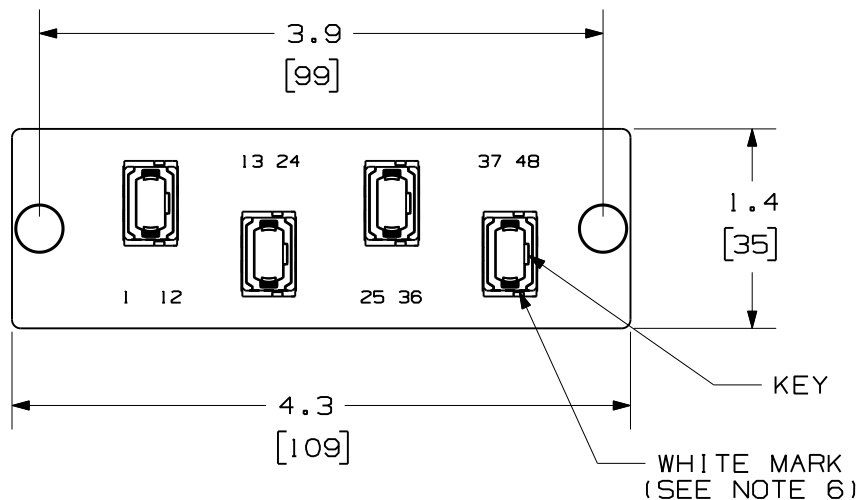
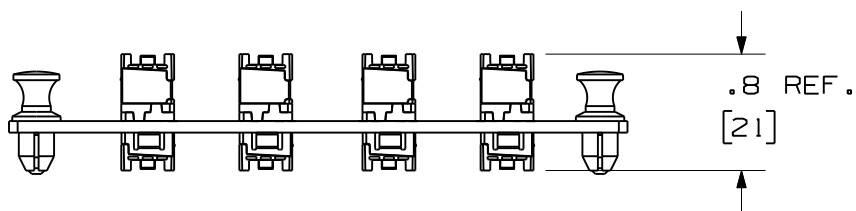


THIS COPY IS PROVIDED ON A RESTRICTED BASIS AND IS NOT TO BE USED IN ANY WAY DETRIMENTAL TO THE INTERESTS OF PANDUIT CORP.

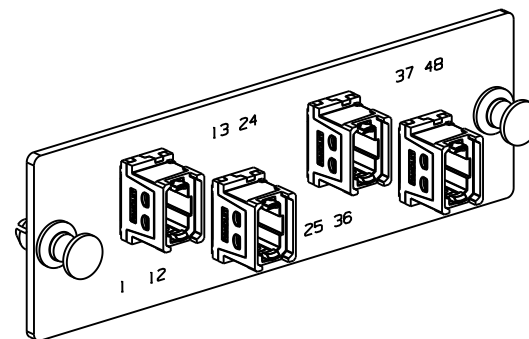


DUST PLUGS NOT SHOWN FOR CLARITY



NOTES:

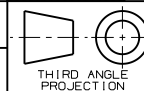
1. SEE CURRENT CATALOG FOR PART NUMBER SUFFIXES TO INDICATE COLOR AND/OR PACKAGE QUANTITIES.
2. SEE CATALOG FOR COMPLETE LIST OF PARTS APPLICABLE FOR USE WITH THIS PRODUCT.
3. MATERIALS:
  - A. PLATE: C.R.S. POWDER COATED.
  - B. ADAPTER: COMPOSITE WITH METAL CLIP.
  - C. ALL MATERIALS AND COMPONENTS USED MEET THE MATERIAL RESTRICTIONS OF RoHS, (EUROPEAN DIRECTIVE 2002/95/EC ON THE RESTRICTION OF HAZARDOUS SUBSTANCES) AS PROPOSED BY THE RoHS TECHNICAL ADAPTATION COMMITTEE.
4. ADAPTERS ARE SUPPLIED WITH TWO DUST PLUGS.
5. DIMENSIONS IN BRACKETS ARE METRIC.
6. WHITE MARK ON MPO ADAPTER CORRELATES TO FIRST FIBER ON INSTALLED MPO/MTP CONNECTOR.



4 POSITION, 48 FIBER HORIZONTAL  
MPO FIBER ADAPTER PANEL  
CUSTOMER DRAWING



**PANDUIT**™  
CORP.  
TINLEY PARK, ILL 60477



ALL DIMENSIONS ARE GIVEN IN INCHES  
UNLESS OTHERWISE SPECIFIED.  
DIMENSIONAL TOLERANCES ARE:  
(.X) ±.03 | (.XXX) ±.010 | (.3)  
(.XX) ±.03 | (.8) ANGLES

DRAWING FILENAME  
M01945ZV\_DC/01A

SCALE  
NONE

DRAWN BY  
MC

REVIEW DRAWING NUMBERS

PART NO. FAPH0412BLMPO  
FAPH0412CGMPO

DATE  
11-15-07

DRAWING NO. 01945-99

CHK'D  
TMS

REV	DATE	BY	CHK	DESCRIPTION	ECN	R	CUST	SUP	OTH
2	03-09-11	MC		RELEASED TO PRODUCTION	01945-99				

SIZE  
A