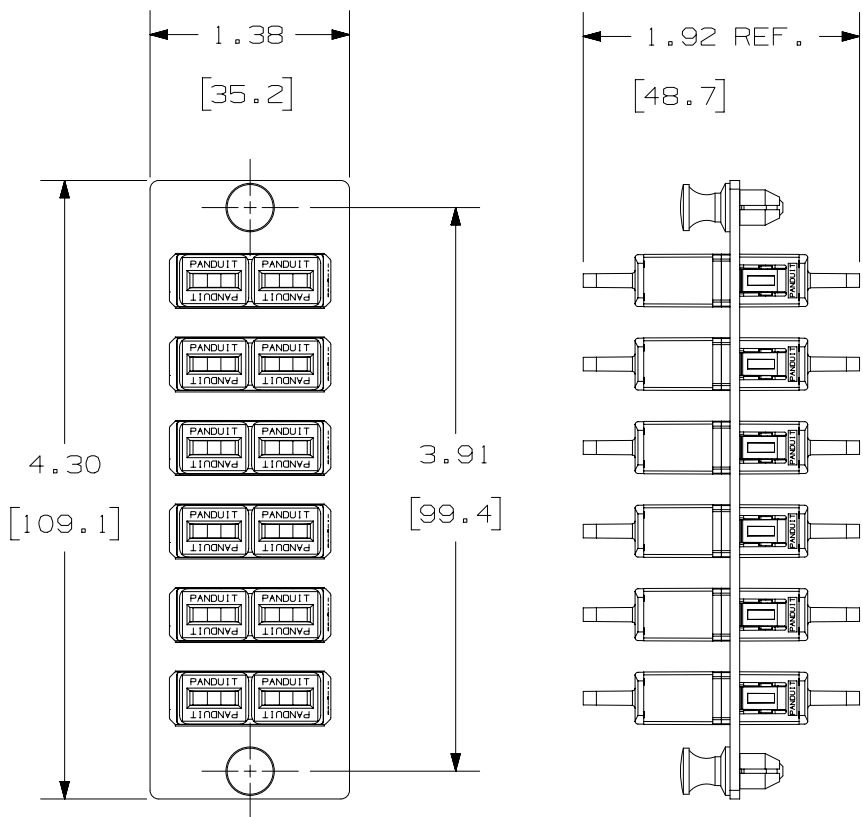


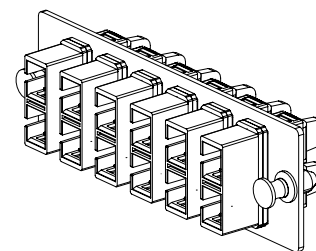
THIS COPY IS PROVIDED ON A RESTRICTED BASIS AND IS NOT TO BE USED IN ANY WAY DETRIMENTAL TO THE INTERESTS OF PANDUIT CORP.



PANDUIT P/N	ADAPTER COLOR	SPLIT SLEEVE TYPE
FAP6WAGDSCZ	APC GREEN	ZIRCONIA
FAP6WAQDSCZ	AQUA	
FAP6WBUDSCZ	BLUE	
FAP6WEIDSCZ	ELECTRIC IVORY	
FAP6WBLDSCZ	BLACK	
FAP6WGRDSCZ	GREEN	

NOTES:

- SEE CURRENT CATALOG FOR PART NUMBER SUFFIXES TO INDICATE COLOR AND/OR PACKAGE QUANTITIES.
- SEE CATALOG FOR COMPLETE LIST OF PARTS APPLICABLE FOR USE WITH THIS PRODUCT.
- MATERIALS:
 - PLATE: C.R.S. POWDER COATED
 - ADAPTER: COMPOSITE
 - SPLIT SLEEVE: ZIRCONIA
- DIMENSIONS IN [] ARE METRIC.
- WEIGHT: 1.37 lbs [623.9 g] PER 10 PIECES.



PART NUMBER		FAP6W**DSCZ	
TITLE			
6 POSITION DUPLEX SC FIBER ADAPTER PANEL			
CUSTOMER DRAWING			
ITEM REVISION NAME		M01945AL/01	
DATASET FILE NAME		M01945AL_DC/01E	
UNLESS OTHERWISE SPECIFIED, DIMENSIONAL TOLERANCES ARE: IN (mm)		MATERIAL:	
.X ±		.XXX ±	
.XX ±		ANGLES ±	
DRAWING NUMBER:		01945-32	
DRAWN BY	DATE	CHK	SCALE
MC	01-13-05	PJI	NONE
SHT 1 OF 1		A	

REV	DATE	BY	CHK	APR	DESCRIPTION	ECN
01E	06-04-20	SAT	WJM	AW	D. ADDED FAP6WGRDSCZ.	01945-32
01D	4/23/19	JSP	WJM	AW	C. ADDED ELECTRIC IVORY AND BLACK ADAPTERS. B. REMOVE PHOS-BRONZE PART NUMBERS	01945-32
3	6/12/15	JSP	WJM	TMK	A. REVISED DRAWING TITLE BLOCK.	01945-32

D10100DA/14