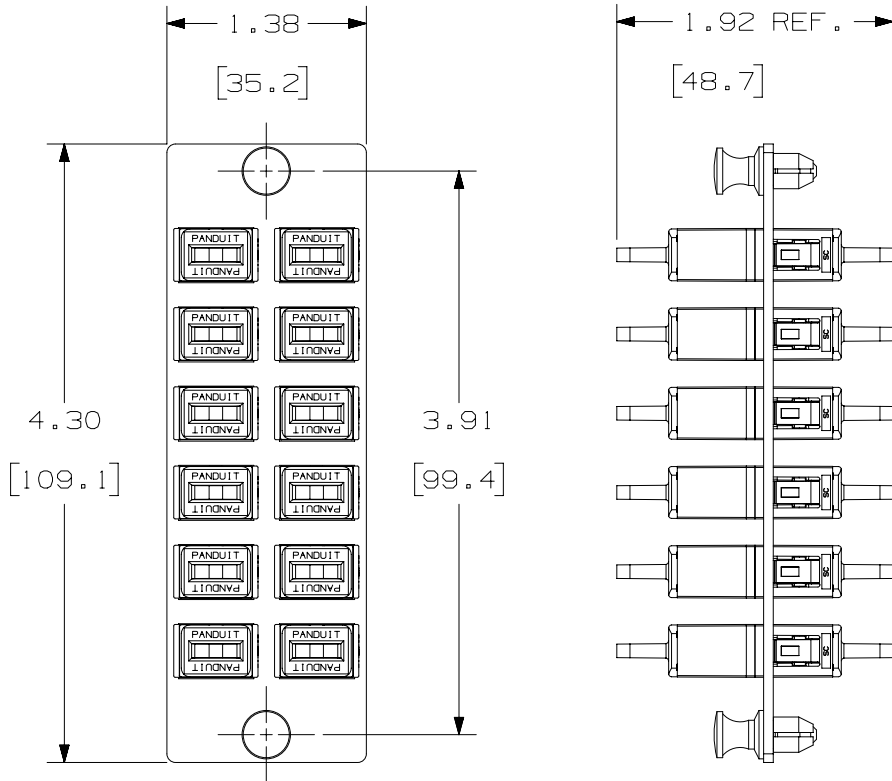


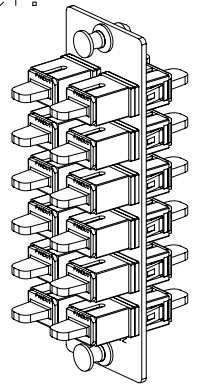
THIS COPY IS PROVIDED ON A RESTRICTED BASIS AND IS NOT TO BE USED IN ANY WAY DETRIMENTAL TO THE INTERESTS OF PANDUIT CORP.



PANDUIT P/N	ADAPTER COLOR	SPLIT SLEEVE TYPE
FAP12WEISCZ	ELECTRIC IVORY	
FAP12WBUSCZ	BLUE	ZIRCONIA
FAP12WAGSCZ	APC GREEN	

NOTES:

- SEE CURRENT CATALOG FOR PART NUMBER SUFFIXES TO INDICATE COLOR AND/OR PACKAGE QUANTITIES.
- SEE CATALOG FOR COMPLETE LIST OF PARTS APPLICABLE FOR USE WITH THIS PRODUCT.
- MATERIALS:
 - PLATE: C.R.S. POWDER COATED
 - ADAPTER: COMPOSITE
 - SPLIT SLEEVE: ZIRCONIA
- DIMENSIONS IN [] ARE METRIC.



PART NUMBER		FAP12W**SCZ	
TITLE			
12 POSITION SIMPLEX SC FIBER ADAPTER PANEL			
CUSTOMER DRAWING			
ITEM REVISION NAME		M01945AG/00	
DATASET FILE NAME		M01945AG_DC/00D	
UNLESS OTHERWISE SPECIFIED, DIMENSIONAL TOLERANCES ARE: IN (mm)			
.X ± .XX ±			
		.XXX ± ANGLES ±	
DRAWN BY		DATE	
MC		09-02-04	
CHK		SCALE	
TMS		NONE	
MATERIAL:		DRAWING NUMBER:	
		01945-17	
REV		DATE	
BY		APR	
DESCRIPTION		ECN	
SHT 1 OF 1		A	

REV	DATE	BY	CHK	APR	DESCRIPTION	ECN
00D	4/23/19	JSP	WJM	AW	B. REMOVED PHOS-BRONZE PART NUMBERS	01945-17
2	6/12/15	JSP	WJM	TMK	A. REVISED DRAWING TITLE BLOCK.	01945-17

D10100DA/14