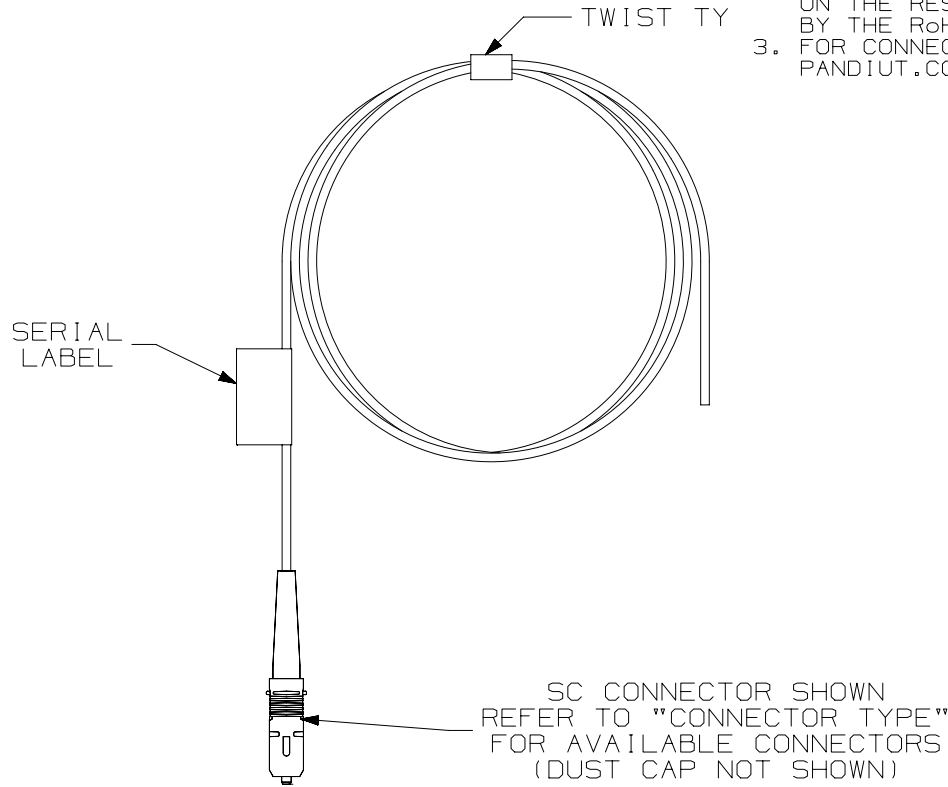


THIS COPY IS PROVIDED ON A RESTRICTED BASIS AND IS NOT TO BE USED IN ANY WAY DETRIMENTAL TO THE INTERESTS OF PANDUIT CORP.

NOTES:

1. TESTED TO EIA/TIA 568-C.3.
2. ALL MATERIALS AND COMPONENTS MEET THE MATERIAL RESTRICTIONS OF RoHS, (EUROPEAN DIRECTIVE 2011/65/EC ON THE RESTRICTION OF HAZARDOUS SUBSTANCES) AS PROPOSED BY THE RoHS TECHNICAL ADAPTATION COMMITTEE.
3. FOR CONNECTOR PERFORMANCE, CONTACT PANDUIT OR VISIT PANDUIT.COM.



OOA	9/16/20	JSP	WJM	AW	INITIAL RELEASE	10F093BL-DC
REV	DATE	BY	CHK	APR	DESCRIPTION	ECN

TITLE						900um PIGTAIL					
						CUSTOMER DRAWING					
ITEM REVISION NAME						10F093BL/00					
DATASET FILE NAME						10F093BL_DC/00A					
UNLESS OTHERWISE SPECIFIED, DIMENSIONAL TOLERANCES ARE: IN (mm)						PANDUIT					
.x ± .xxx ± .010 (0.3)											
.xx ± .03 (0.8) ANGLES ±						DRAWING NUMBER:					
						10F093BL-DC					
DRAWN BY			DATE			CHK			SCALE		
JSP			9/16/20			WJM			NONE		
THIRD ANGLE PROJECTION						SHT 1 OF 2					
						SIZE					
						A					

2

1

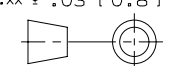
THIS COPY IS PROVIDED ON A RESTRICTED BASIS AND IS NOT TO BE USED IN ANY WAY DETRIMENTAL TO THE INTERESTS OF PANDUIT CORP.

EIA/TIA PIGTAIL

PART NUMBER	CONNECTOR TYPE	DESCRIPTION
F51BN1NNNSNM00*	LC OM2	900um BUFFERED PATCHCORD NO JACKET LC TO PIGTAIL, STANDARD INSERTION LOSS
F61BN1NNNSNM00*		900um BUFFERED PATCHCORD NO JACKET LC TO PIGTAIL, STANDARD INSERTION LOSS
F91BN1NNNSNM00*	LC OS2	900um BUFFERED PATCHCORD NO JACKET LC TO PIGTAIL, STANDARD INSERTION LOSS
FX1BN1NNNONM00*		900um BUFFERED PATCHCORD NO JACKET LC TO PIGTAIL, OPTIMIZED INSERTION LOSS
FX1BN1NNNSNM00*	LC OM3	900um BUFFERED PATCHCORD NO JACKET LC TO PIGTAIL, STANDARD INSERTION LOSS
FZ1BN1NNNONM00*		900um BUFFERED PATCHCORD NO JACKET LC TO PIGTAIL, OPTIMIZED INSERTION LOSS
FZ1BN1NNNSNM00*	LC OM4	900um BUFFERED PATCHCORD NO JACKET LC TO PIGTAIL, STANDARD INSERTION LOSS
F51BN3NNNSNM00*		900um BUFFERED PATCHCORD NO JACKET SC TO PIGTAIL, STANDARD INSERTION LOSS
F61BN3NNNSNM00*	SC OM1	900um BUFFERED PATCHCORD NO JACKET SC TO PIGTAIL, STANDARD INSERTION LOSS
F91BN3NNNSNM00*		900um BUFFERED PATCHCORD NO JACKET SC TO PIGTAIL, STANDARD INSERTION LOSS
FX1BN3NNNONM00*	SC OM3	900um BUFFERED PATCH CORD NO JACKET SC TO PIGTAIL, OPTIMIZED INSERTION LOSS
FX1BN3NNNSNM00*		900um BUFFERED PATCHCORD NO JACKET SC TO PIGTAIL, STANDARD INSERTION LOSS
FZ1BN3NNNONM00*	SC OM4	900um BUFFERED PATCHORD NO JACKET SC TO PIGTAIL, OPTIMIZED INSERTION LOSS
FZ1BN3NNNSNM00*		900um BUFFERED PATCHCORD NO JACKET SC TO PIGTAIL, STANDARD INSERTION LOSS
F81BNBNNNSNM00*	LC/APC OS2	900um BUFFERED PATCHCORD NO JACKET LC/APC TO PIGTAIL, STANDARD INSERTION LOSS
F91BNBNNNSNM00*		900um BUFFERED PATCHCORD NO JACKET LC/APC TO PIGTAIL, STANDARD INSERTION LOSS
F91BANNNNSNM00*	SC/APC OS2	900um BUFFERED PATCHCORD NO JACKET SC/APC TO PIGTAIL, STANDARD INSERTION LOSS

* INDICATED LENGTH (1, 2, OR 3)

OOA	9/16/20	JSP	WJM	AW	SEE SHEET 1 OF 2 FOR REVISION.				
REV	DATE	BY	CHK	APR	DESCRIPTION	ECN			

TITLE 900um PIGTAIL CUSTOMER DRAWING			
ITEM REVISION NAME 10F093BL/00		PANDUIT	
DATASET FILE NAME 10F093BL_DC/00A			
UNLESS OTHERWISE SPECIFIED, DIMENSIONAL TOLERANCES ARE: IN (mm) .x ± .xxx ± .010 (0.3) .xx ± .03 (0.8) ANGLES ±		MATERIAL:	
		DRAWING NUMBER: 10F093BL - DC	
DRAWN BY JSP	DATE 9/16/20	CHK WJM	SCALE NONE
			SHT 2 OF 2
			SIZE A

2

1