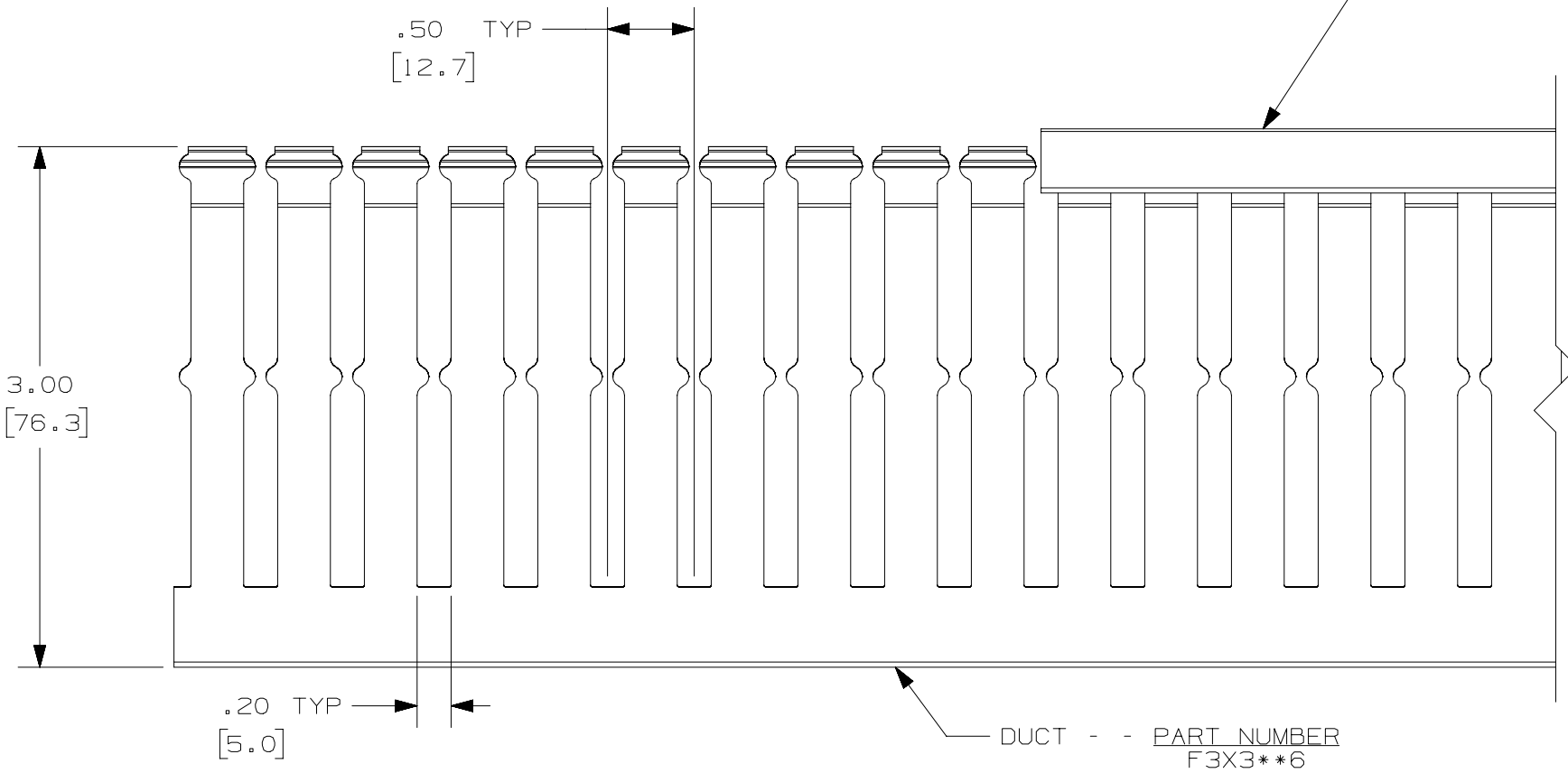
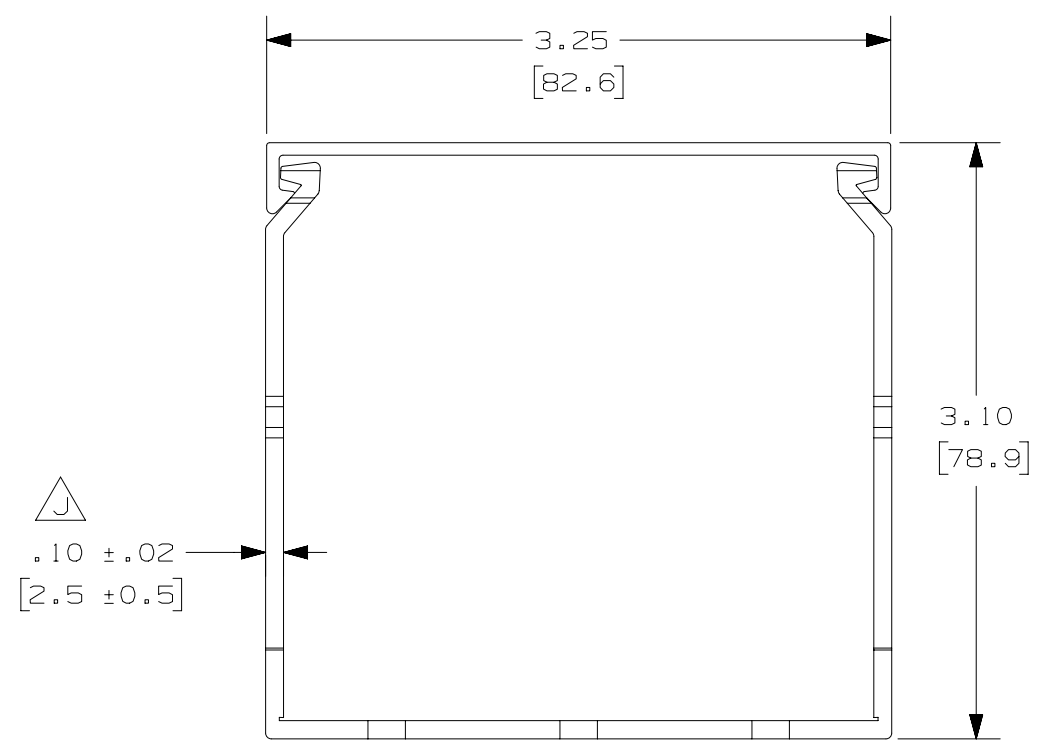


COVER - - PART NUMBER
C3**6



DUCT - - PART NUMBER
F3X3**6

- NOTES:
1. ALL DIMENSIONS ARE REFERENCE ONLY.
 2. DIMENSIONS IN PARENTHESIS ARE METRIC.
 3. THE ** DENOTE COLOR.
 4. DUCT AND COVER ARE AVAILABLE IN 6 FT (1828.8) LENGTHS

REV	DATE	BY	CHK	APR	DESCRIPTION	ECN
5	03.03.16	BDK	MRJS	RGRO	J. ADDED TOLERANCE	36897-778
4	04-02-13	JBN	RTFI	RTFI	I. UPDATED DRAWING BORDER & TITLE BLOCK	36897-778

TITLE WIRING DUCT - TYPE F DUCT WITH COVER 3 X 3				MARKETING DRAWING	
ITEM REVISION NAME D11000CP/00		DATASET FILE NAME D11000CP_DC/00E			
UNLESS OTHERWISE SPECIFIED, DIMENSIONAL TOLERANCES ARE: IN (mm)					
DRAWN BY JHNU		DATE 06-18-03		DRAWING NUMBER: 36897-778	
CHK JGG		SCALE FULL		SHT 1 OF 1	
THIRD ANGLE PROJECTION		SIZE C			