

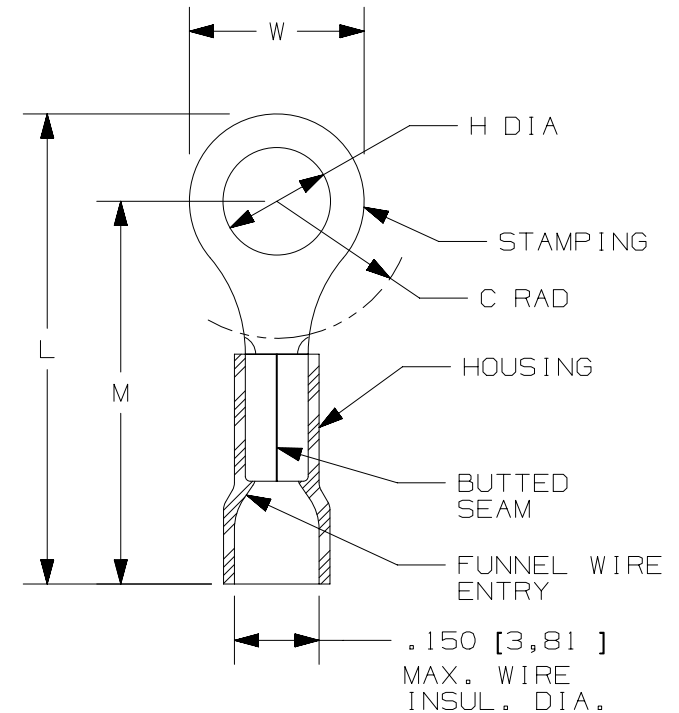
THIS COPY IS PROVIDED ON A RESTRICTED BASIS AND IS NOT TO BE USED IN ANY WAY DETRIMENTAL TO THE INTERESTS OF PANDUIT CORP.

PANDUIT PART #	STUD SIZE		DIMENSIONS in. [mm]				
	ENGLISH	METRIC	L ± .03 [0,51]	W ± .01 [0,25]	C ± .02 [0,38]	M ± .03 [0,51]	H ± .01 [0,25]
EV18-6RB	#6	M3	.86 [21,8]	.25 [6,4]	.22 [5,6]	.70 [17,8]	.15 [3,8]
EV18-8RB	#8	M4	.91 [23,1]	.31 [7,9]	.26 [6,6]	.78 [19,8]	.17 [4,3]
EV18-10RB	#10	M5	.94 [23,9]	.31 [7,9]	.27 [6,9]	.78 [19,8]	.20 [5,1]
EV18-14RB	1/4"	M6	1.11 [28,2]	.46 [11,7]	.37 [9,4]	.88 [22,4]	.27 [6,9]
EV18-56RB	5/16"	M8	1.11 [28,2]	.46 [11,7]	.39 [9,9]	.88 [22,4]	.34 [8,6]

*RATED FOR 167°F [75°C] MAX TEMP. WITH CT-100A

NOTES:

- USED FOR:
 - A. 22-18 AWG [0,5-1,0 mm²] SOLID OR STRANDED COPPER WIRE
 - B. 221°F [105°C] MAX. OPERATING TEMPERATURE
 - C. 600V. MAX. BLDG WIRE (1000 V. MAX. IN SIGNS, FIXTURES & LUMINAIRES)
- MATERIAL:
 - A. STAMPING: .032" [0,8] THK COPPER, TIN PLATED
 - B. HOUSING: VINYL, RED
- INSTALLATION TOOLS PANDUIT APPROVED:
 - A. UL APPROVED: CT-100A*, CT-600-A (CT-550CH)
CT-1550, CT-1551, CT-2500 (CT-2550CH)
 - B. PANDUIT APPROVED: CT-160, CT-260, CT-400
- WIRE STRIP LENGTH: 5/16" ^{+1/32}₋₀ [7,9mm ^{+0,8}₋₀]
- SEE www.panduit.com FOR PACKAGE QUANTITIES INDICATED BY PART NUMBER SUFFIX
- DIMENSIONS IN BRACKETS ARE METRIC EQUIVALENT



LISTED
587H
E52164



CERTIFIED
LR31212

TITLE						STRONGHOLD RING TERMINAL VINYL INSULATED, BUTTED SEAM #22-18 AWG CUSTOMER DRAWING			
ITEM REVISION NAME						00123STH/00			
DATASET FILE NAME						00123STH_DC/00			
UNLESS OTHERWISE SPECIFIED, DIMENSIONAL TOLERANCES ARE: IN [mm]						MATERIAL:			
.x ± .1 [2.54]						.xxx ± .005 [0.127]			
.xx ± .01 [0.25]						ANGLES ± 5°			
DRAWN BY						THIRD ANGLE PROJECTION			
JHNU						DATE			
2/18						CHK			
TMR						SCALE			
N.T.S.						DRAWING NUMBER:			
SH41268						SHEET 1 OF 1			
REV						SIZE			
A						A			

00	2/18	JHNU	TMR	RGB	RELEASED	00123SH
REV	DATE	BY	CHK	APR	DESCRIPTION	ECN

D110100DA/12