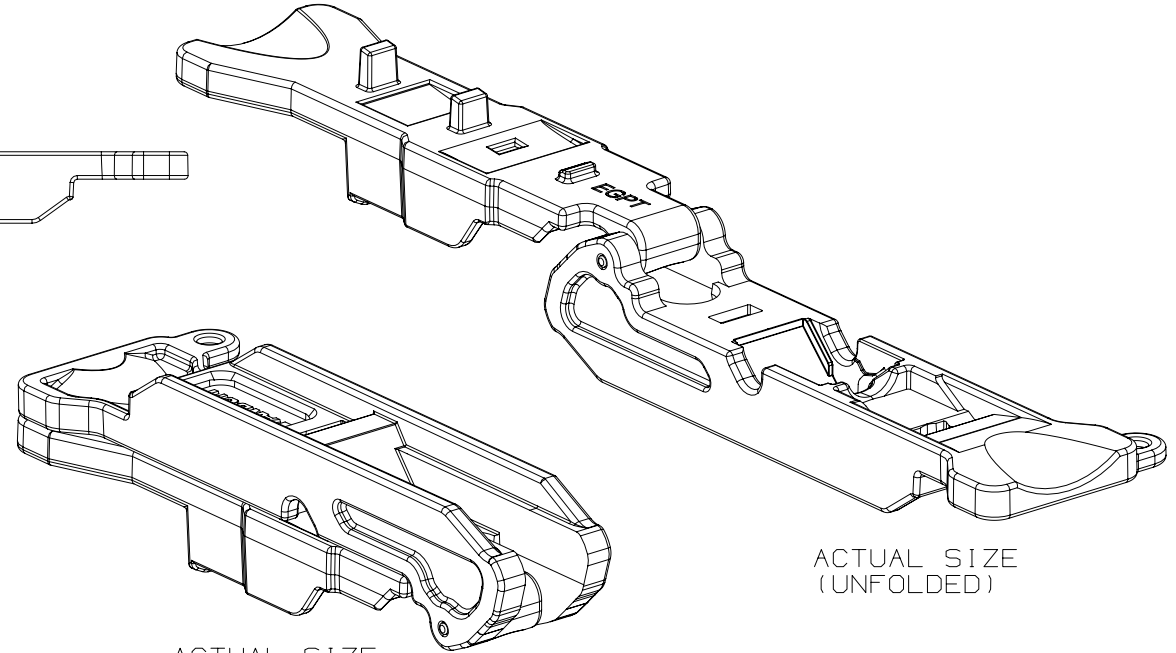
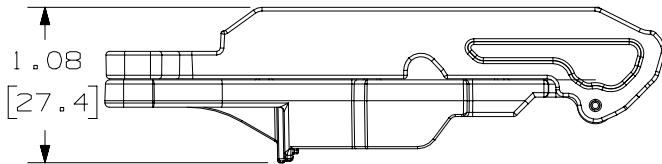
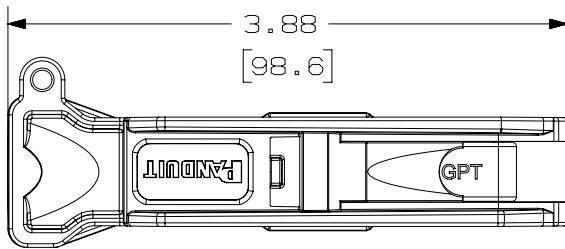
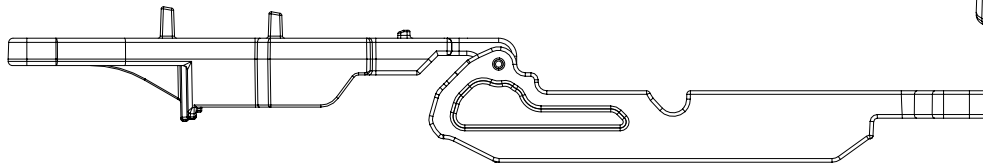
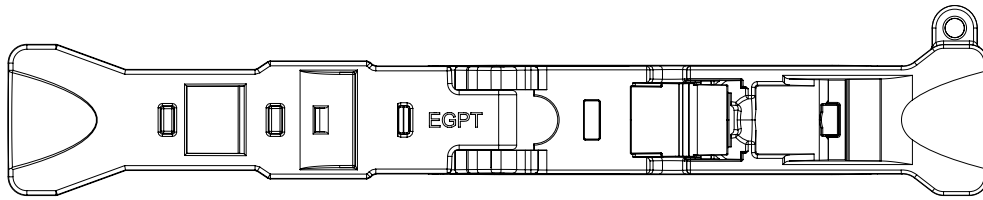


THIS COPY IS PROVIDED ON A RESTRICTED BASIS AND IS NOT TO BE USED IN ANY WAY DETRIMENTAL TO THE INTERESTS OF PANDUIT CORP.

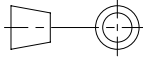
NOTES:

1. VISIT OUR ON-LINE CATALOG AT [WWW.PANDUIT.COM](http://WWW.PANDUIT.COM) FOR A LIST OF CURRENT PARTS APPLICABLE FOR USE WITH THIS PRODUCT.
2. DIMENSIONS IN ( ) ARE METRIC.
3. WEIGHT: .44 LB/10 PCS ( 199 g/10PCS )
4. MATERIAL: GLASS FILLED NYLON
5. COLOR: VIOLET
6. RoHS COMPLIANT



ACTUAL SIZE  
(UNFOLDED)

ACTUAL SIZE  
(FOLDED)

PART NUMBER		EGPT		
TITLE				
TERMINATION TOOL FOR STRAIGHT & 45° ANGLED UTP FIELD TERMINABLE PLUG				
CUSTOMER DRAWING				
ITEM REVISION NAME		00163LAI/04		
DATASET FILE NAME		00163LAI_DC02/04A		
		THIRD ANGLE PROJECTION		
MATERIAL		SEE NOTE 4		
DRAWING NUMBER		00163LAI-02		
REV	DATE	BY	CHK	SCALE
3	6-21-18	BJN	DCS	NONE
DESCRIPTION		ECN	SHEET 1 OF 1	
REVISED & REDRAWN PREVIOUS REVISION REMVD FOR CLARITY		00163LAI-02	A	

A-SIZE CUSTOMER