

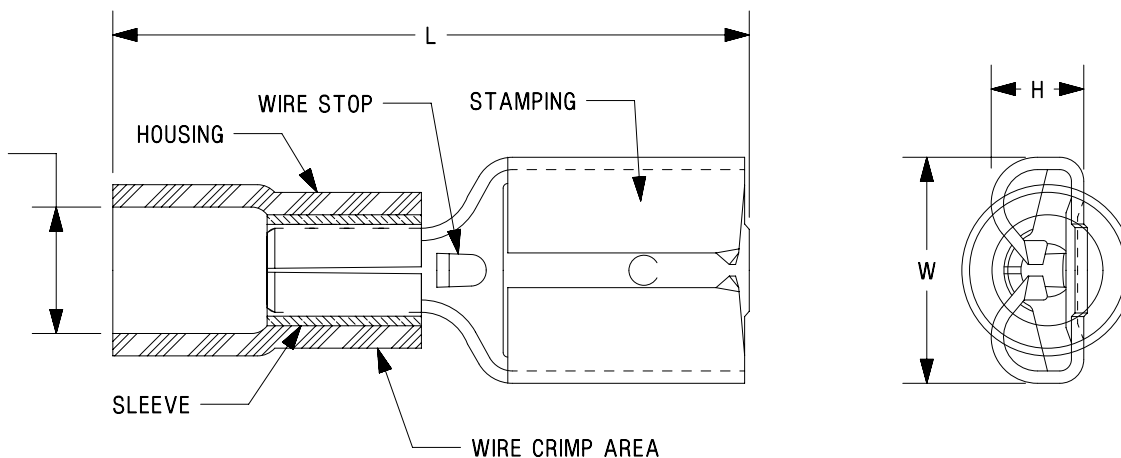
THIS COPY IS PROVIDED ON A RESTRICTED BASIS AND IS NOT TO BE USED IN ANY WAY DETRIMENTAL TO THE INTERESTS OF PANDUIT CORP.

PANDUIT PART #	WIRE RANGE AWG [ mm <sup>2</sup> ]	TAB SIZE INCH [ mm ]	COLOR	MAX. WIRE INSULATION DIAMETER	DIMENSIONS in. [ mm ]		
					L± .03 [ 0,8 ]	W± .01 [ 0,3 ]	H± .01 [ 0,3 ]
EDV10-250	#12-10 [ 4,0-6,0 ]	.250 X .032 [ 6,3 X 0,8 ]	YELLOW	.23 [ 5,8 ]	1.03 [ 26,2 ]	.30 [ 7,6 ]	.13 [ 3,3 ]

NOTES:

- USED FOR:
  - STRANDED COPPER WIRE ONLY
  - 194°F [90°C] MAX. OPERATING TEMP.
  - 600 V. MAX. VOLTAGE RATING
- MATERIAL:
  - STAMPING: BRASS, TIN PLATED
  - HOUSING: VINYL
  - SLEEVE: BRASS, TIN PLATED
- INSTALLATION TOOLS:
  - UL LISTED AND CSA CERTIFIED: CT-1550, CT-1551, CT-2500, CT-600A
  - PANDUIT APPROVED: CT-100A, CT-160, CT-260, CT-460
- WIRE STRIP LENGTH:  $9/32'' \begin{smallmatrix} +1/32 \\ -0 \end{smallmatrix} [7,1\text{mm} \begin{smallmatrix} +0,8 \\ -0 \end{smallmatrix}]$
- SEE [www.panduit.com](http://www.panduit.com) FOR PACKAGE QUANTITIES INDICATED BY PART NUMBER SUFFIX
- DIMENSIONS IN BRACKETS ARE METRIC EQUIVALENT

MAX. WIRE INSUL. DIA.  
(SEE CHART)



RECOGNIZED CERTIFIED  
E78522 LR31212

TITLE <b>STRONGHOLD FEMALE DISCONNECTS (250 SERIES)</b> <b>VINYL INSULATED, METAL SLEEVE #12-10 AWG</b> CUSTOMER DRAWING				
ITEM REVISION NAME		00123SHI/00		
DATASET FILE NAME		00123SHI_DC/00		
UNLESS OTHERWISE SPECIFIED, DIMENSIONAL TOLERANCES ARE: IN [ mm ] .x ± .1 [ 2.54 ]      .xxx ± .005 [ .127 ] .xx ± .01 [ .25 ]      ANGLES ± 5 °				MATERIAL:  SEE NOTES
THIRD ANGLE PROJECTION				DRAWING NUMBER: SH41199
DRAWN BY	DATE	CHK	SCALE	SIZE
JHNU	2/18	TMR	N.T.S.	A

REV	DATE	BY	CHK	APR	DESCRIPTION	ECN
00	2/18	JHNU	TMR	RGB	RELEASED	00123SH

D110100DA/12