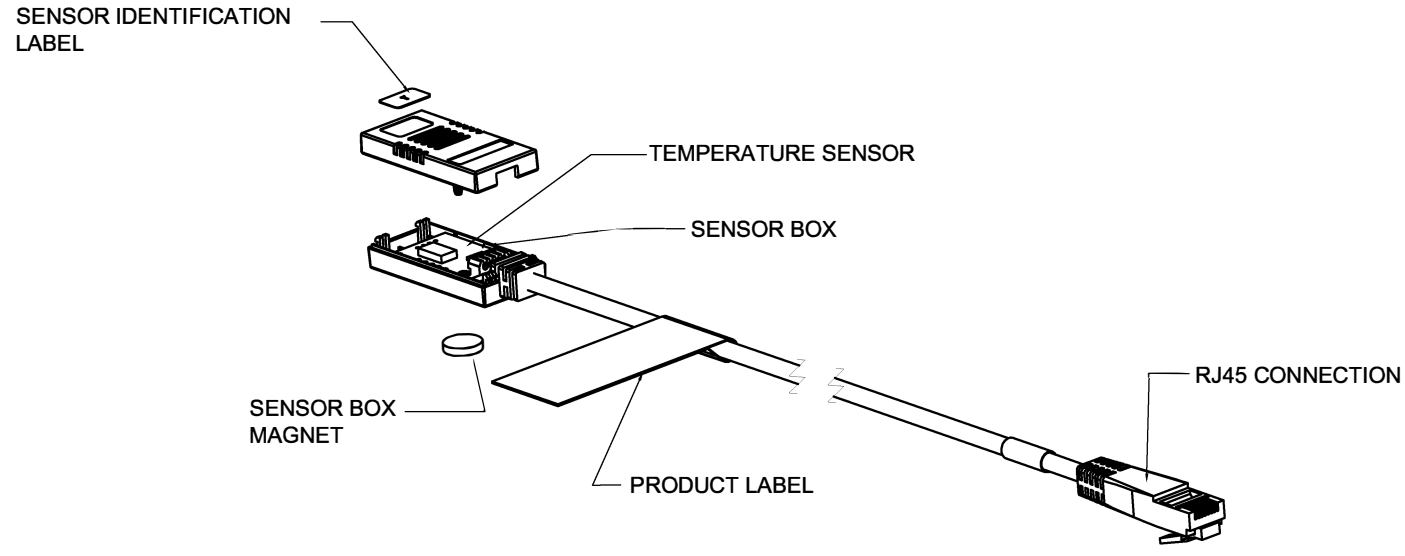


|             |         |
|-------------|---------|
| PANDUIT P/N | WEIGHT  |
| EA001       | 0.125kg |



**SPECIFICATION:**

1. STANDARD  
 MEASURING RANGE: 0°C - 65°C [32°F - 149°F]  
 MEASUREMENT ACCURACY: ± 2°C  
 OPERATING RANGE: 0- 65°C, 10-90% RH NON-CONDENSING [32-149°F, 10-90% RH NON-CONDENSING]  
 OPERATIONAL VOLTAGE: 5 ±0.1 VOL TS DC  
 CURRENT DRAW: 30 mA MAX  
 SENSOR HOUSING MATERIAL: ABS, 10% GLASS-FILLED  
 SENSOR HOUSING COLOR: INTERFACE BLACK  
 PLUG: RJ45 COMPLIANT  
 INTERFACE PLUG HOUSING MATERIAL: POLYCARBONATE  
 INTERFACE PLUG HOUSING COLOR: TRANSPARENT  
 LABEL CONTENT: T

2. ADDITIONAL:  
 NONE

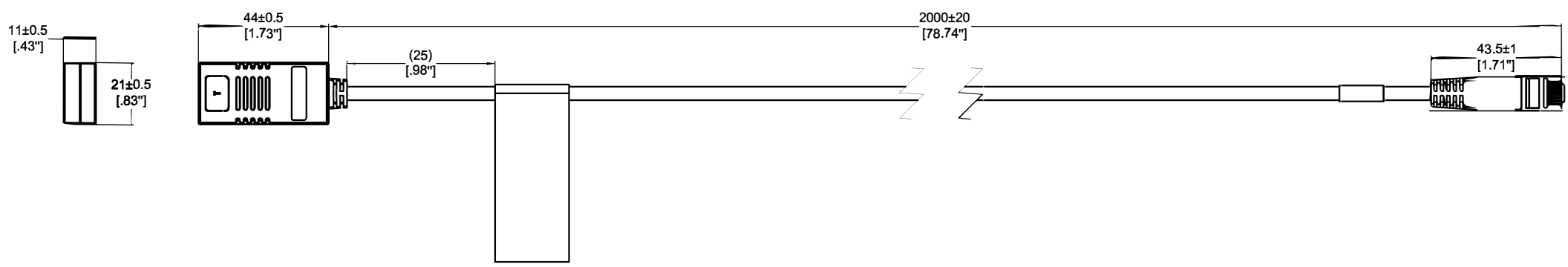
3. ACCESSORY COMPONENTS:  
 CABLE TIES, QTY:(5)  
 INSTALLATION GUIDE, QTY:(1)

**NOTES:**

1. PRIMARY DIMENSIONS ARE IN MILLIMETERS. SECONDARY DIMENSION ARE IN INCHES
2. INSTALLATION SHALL COMPLY WITH ALL APPLICABLE NATIONAL, STATE, AND LOCAL CODES
3. VISIT OUR ON-LINE CATALOG AT WWW.PANDUIT.COM FOR A CURRENT LIST OF PRODUCTS APPLICABLE FOR USE WITH THIS PART

**IDENTIFICATION**

|             |                        |
|-------------|------------------------|
| PART NUMBER | DESCRIPTION            |
| EA001       | TEMPERATURE SENSOR KIT |



WE ASK THAT YOU CHECK FULLY THE DIMENSIONS, NOTES, AND SIGN THE CLIENT SIGNATURE BOX. THE JOB WILL NOT PROGRESS WITHOUT SIGNED APPROVAL. PLEASE DO NOT DELAY IN RETURNING PROOF AS IT WILL AFFECT DELIVERY

SIGN \_\_\_\_\_  
 DATE \_\_\_\_\_  
 PRINT \_\_\_\_\_

TITLE: SMARTZONE G5 TEMPERATURE SENSOR KIT  
 CUSTOMER DRAWING

ITEM REVISION NAME: \_\_\_\_\_  
 DATASHEET FILE NAME: \_\_\_\_\_

UNLESS OTHERWISE SPECIFIED DIMENSIONAL TOLERANCE ARE: mm [IN]  
 Wire Harness Tolerance(mm)

THIRD ANGLE PROJECTION

0<4<500 ±10  
 500<4<2000 ±20  
 2000<4<6000 ±50

MATERIAL/COLOR: N/A

DRAWING NUMBER: EA001\_DC

DRAWN BY: Hanson DATE: 11/01/2017 CHK: MM SCALE: NONE

SHT 1 OF 1

|     |            |        |     |     |                 |       |
|-----|------------|--------|-----|-----|-----------------|-------|
| 00A | 11/01/2017 | Hanson | MM  | DJB | INITIAL RELEASE | EA001 |
| REV | DATE       | BY     | CHK | APR | DESCRIPTION     | ECN   |