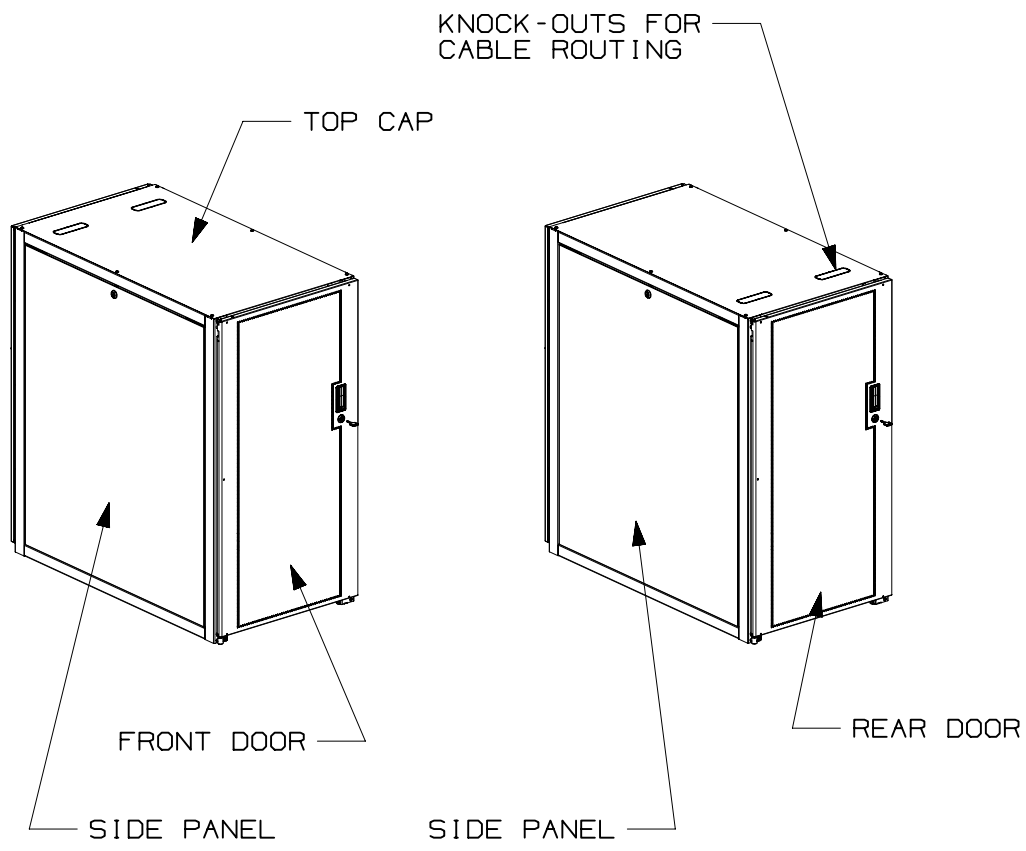


THIS COPY IS PROVIDED ON A RESTRICTED BASIS AND IS NOT TO BE USED IN ANY WAY DETRIMENTAL TO THE INTERESTS OF PANDUIT CORP.



1. VISIT OUR ON-LINE CATALOG AT WWW.PANDUIT.COM FOR A LIST OF CURRENT PARTS APPLICABLE FOR USE WITH THIS PRODUCT.
2. PRIMARY DIMENSIONS ARE IN MILLIMETERS.
3. INCREMENTALLY ADJUSTABLE REAR EQUIPMENT MOUNTING RAILS (EIA) ARE FACTORY SET AT 742mm FROM FIXED FRONT RAILS. REAR RAILS ADJUST FROM 46mm TO 932mm IN INCREMENTS OF 32mm.
4. CAN BE USED WITH ANY 19" EIA STANDARD COMPONENT IN ADDITION TO ALL PANDUIT HORIZONTAL CABLE MANAGEMENT AND PATCH PANEL PRODUCTS.
5. EIA UNIVERSAL STANDARD HOLE PROGRESSION ON EQUIPMENT RAILS 15.88mm, 15.88mm, 12.70mm, 15.88mm, 15.88mm, 12.7mm...ETC.
6. PARTS SUPPLIED:
 - BASE CABINET
 - FRONT PERFORATED DOOR (SEE CHART ON SHEET 2)
 - REAR PERFORATED DOOR (SEE CHART ON SHEET 2)
 - SIDE PANEL (SEE CHART ON SHEET 2)
 - EQUIPMENT RAILS FRONT & REAR (SEE CHART ON SHEET 2)
 - CASTERS (SEE CHART ON SHEET 2)
 - INSTRUCTION SHEET
7. RACK UNIT SPACING NUMERALS ARE CLEARLY PRINTED ON EQUIPMENT MOUNTING RAILS.
8. FULLY BONDED STRUCTURE WHEN ASSEMBLED PER INSTRUCTIONS.
9. STATIC LOAD TESTED TO 567 Kg (1250 LBS).
10. ROLLING LOAD TESTED TO 227 Kg (500 LBS).
11. SINGLE POINT GROUND LOCATIONS AT BOTTOM OF CABINET.
12. ALL CABINET RAILS ARE INSTALLED NUMBERS UP.

OOA	5-17-13	TKW	PBD		RELEASED TO PRODUCTION				13V368ZC-DC	
REV	DATE	BY	CHK	APR	DESCRIPTION	ECN	DRAWN BY	DATE	CHK	SCALE
							TKW	5-17-13	PBD	NONE

TITLE
ENTERPRISE SERVER CONFIGURED CABINET 600mm WIDE x 1070mm DEEP FAMILY
CUSTOMER DRAWING

ITEM REVISION NAME
13V368ZC/00.PRT

DATASET FILE NAME
13V368ZC_DC/00A.PRT

UNLESS OTHERWISE SPECIFIED, DIMENSIONAL TOLERANCES ARE:

INCHES	METRIC - MILLIMETER	ANGLE
X.X +/- 0.03	X. +/- 0.8	+/- 1°
X.XX +/- 0.018	X.X +/- 0.46	
X.XXX +/- 0.007	X.XX +/- 0.18	

MATERIAL/COLOR:
N/A

DRAWING NUMBER:
13V368ZC-DC

THIRD ANGLE PROJECTION

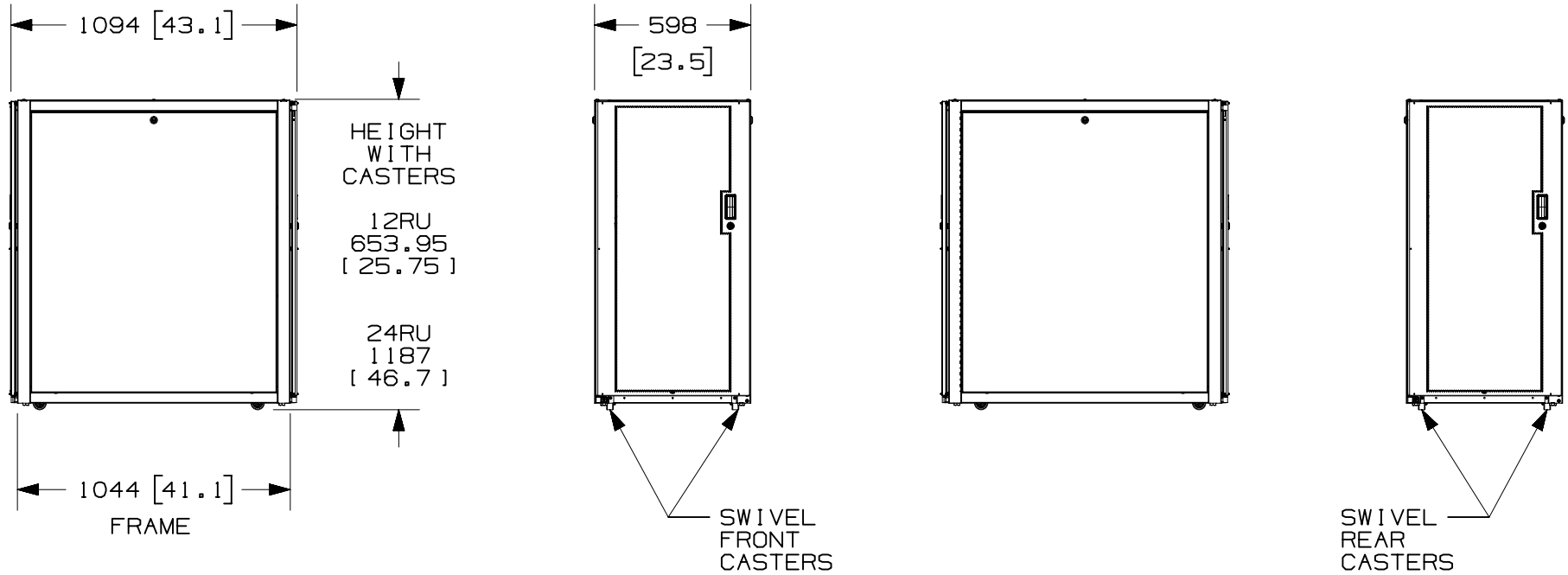
DRAWN BY: TKW, DATE: 5-17-13, CHK: PBD, SCALE: NONE, SHT 1 OF 5, SIZE: A

THIS COPY IS PROVIDED ON A RESTRICTED BASIS AND IS NOT TO BE USED IN ANY WAY DETRIMENTAL TO THE INTERESTS OF PANDUIT CORP.

PART NO.	DESCRIPTION	QUANTITY						CABINET WEIGHT UNPACKAGED	CABINET WEIGHT SHIPPING NO PALLET	CABINET WEIGHT SHIPPING WITH PALLET
		SINGLE HINGE FRONT DOOR	SINGLE HINGE REAR DOOR	SIDE PANEL	FRONT POST WITH INTEGRATED CAGE NUT E-RAIL	REAR CAGE NUT E-RAIL	SWIVEL CASTERS			
E6212B1	12 RU ENTERPRISE CABINET 600mm WIDE X 1070mm DEEP	01	01	02	02	02	04	34.9 Kg 77 LBS	N/A	52.6 Kg 116 LBS
E6212B1FP	12 RU ENTERPRISE CABINET 600mm WIDE X 1070mm DEEP - FLAT PACKED	01	01	02	02	02	04	34.9 Kg 77 LBS	43.1 Kg 95 LBS	58.1 Kg 128 LBS
E6212B1FP5	12 RU ENTERPRISE CABINET 600mm WIDE X 1070mm DEEP - FLAT PACKED (5) PER PALLET	01	01	02	02	02	04	174.5 Kg (5 X 34.9 Kg) 385 LBS (5 X 77 LBS)	N/A	230.5 Kg (5 X 43.1 Kg) + (1 X 15 Kg) PALLET 508 LBS (5 X 95 LBS) + (1 X 33 LBS) PALLET
E6412B2	24 RU ENTERPRISE CABINET 600mm WIDE X 1070mm DEEP	01	01	02	02	02	04	45.8 Kg 101 LBS	N/A	63.5 Kg 140 LBS
E6412B2FP	24 RU ENTERPRISE CABINET 600mm WIDE X 1070mm DEEP - FLAT PACKED	01	01	02	02	02	04	45.8 Kg 101 LBS	N/A	79.4 Kg 175 LBS
E6412B2FP5	24 RU ENTERPRISE CABINET 600mm WIDE X 1070mm DEEP - FLAT PACKED (5) PER PALLET	01	01	02	02	02	04	229 Kg (5 X 45.8 Kg) 505 LBS (5 X 101 LBS)	N/A	324 Kg (5 X 61.2 Kg) + (1 X 18 Kg) PALLET 715 LBS (5 X 135 LBS) + (1 X 40 LBS) PALLET

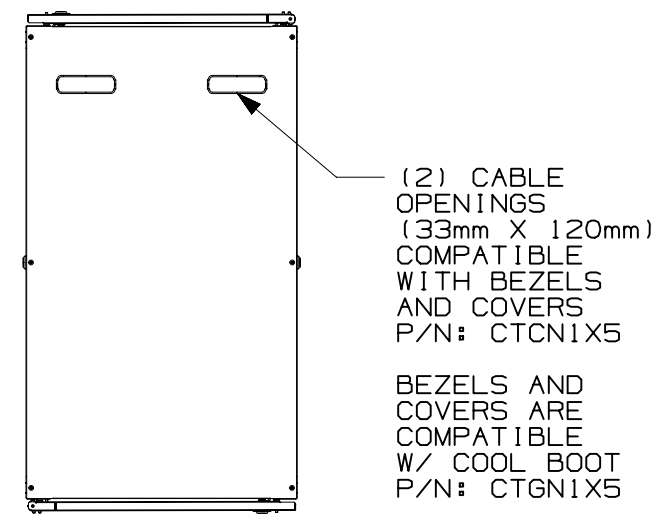
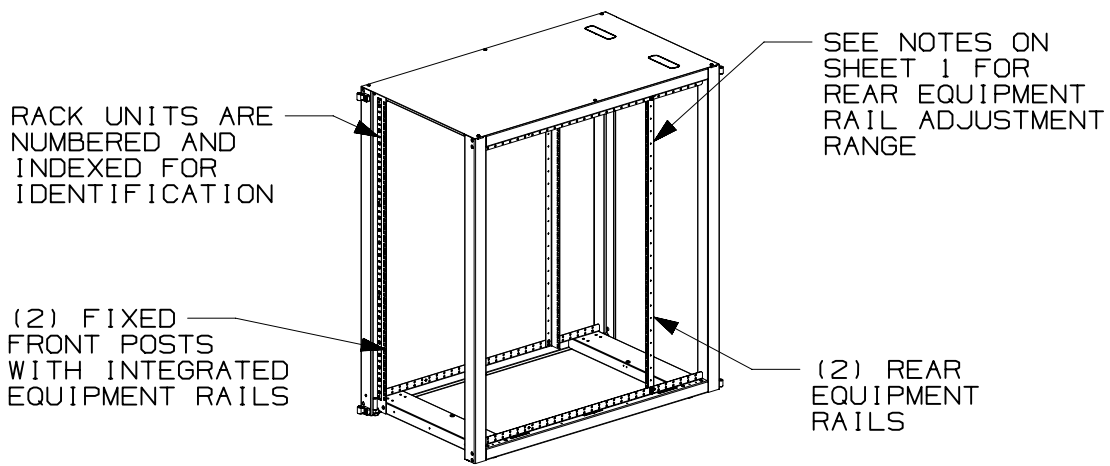
					TITLE ENTERPRISE SERVER CONFIGURED CABINET 600mm WIDE x 1070mm DEEP FAMILY																				
					CUSTOMER DRAWING																				
					ITEM REVISION NAME 13V368ZC/00.PRT																				
					DATASET FILE NAME 13V368ZC_DC/00A.PRT																				
					UNLESS OTHERWISE SPECIFIED, DIMENSIONAL TOLERANCES ARE:																				
					<table border="0"> <tr> <td>INCHES</td> <td></td> <td>METRIC - MILLIMETER</td> <td>ANGLE</td> </tr> <tr> <td>X.X</td> <td>+/- 0.03</td> <td>X. X</td> <td>+/- 0.8</td> </tr> <tr> <td>X.XX</td> <td>+/- 0.018</td> <td>X.X</td> <td>+/- 0.46</td> </tr> <tr> <td>X.XXX</td> <td>+/- 0.007</td> <td>X.XX</td> <td>+/- 0.18</td> </tr> </table>					INCHES		METRIC - MILLIMETER	ANGLE	X.X	+/- 0.03	X. X	+/- 0.8	X.XX	+/- 0.018	X.X	+/- 0.46	X.XXX	+/- 0.007	X.XX	+/- 0.18
INCHES		METRIC - MILLIMETER	ANGLE																						
X.X	+/- 0.03	X. X	+/- 0.8																						
X.XX	+/- 0.018	X.X	+/- 0.46																						
X.XXX	+/- 0.007	X.XX	+/- 0.18																						
					MATERIAL/COLOR: N/A																				
					DRAWING NUMBER: 13V368ZC-DC																				
OOA	5-17-13	TKW	PBD	SEE SHEET 1 OF 5 FOR REVISIONS	13V368ZC-DC																				
REV	DATE	BY	CHK	APR	DESCRIPTION	ECN	DRAWN BY TKW	DATE 5-17-13	CHK PBD	SCALE NONE	SHT 2 OF 5	SIZE A													

THIS COPY IS PROVIDED ON A RESTRICTED BASIS AND IS NOT TO BE USED IN ANY WAY DETRIMENTAL TO THE INTERESTS OF PANDUIT CORP.



					TITLE		ENTERPRISE SERVER CONFIGURED CABINET 600mm WIDE x 1070mm DEEP FAMILY					
					CUSTOMER DRAWING							
					ITEM REVISION NAME			13V368ZC/00.PRT				
					DATASET FILE NAME			13V368ZC_DC/00A.PRT				
					UNLESS OTHERWISE SPECIFIED, DIMENSIONAL TOLERANCES ARE:			MATERIAL/COLOR:				
					INCHES +/- 0.03			METRIC - MILLIMETER +/- 0.8				
					X.X +/- 0.018			X.X +/- 0.46				
					X.XXX +/- 0.007			X.XX +/- 0.18				
					THIRD ANGLE PROJECTION			DRAWING NUMBER:				
					DRAWN BY			13V368ZC-DC				
					DATE			SHT 3 OF 5				
					CHK			SIZE				
					SCALE			A				
OOA	5-17-13	TKW	PBD		SEE SHEET 1 OF 5 FOR REVISIONS							
REV	DATE	BY	CHK	APR	DESCRIPTION	ECN	DRAWN BY	DATE	CHK	SCALE	DRAWING NUMBER	SIZE
							TKW	5-17-13	PBD	NONE	SHT 3 OF 5	A

THIS COPY IS PROVIDED ON A RESTRICTED BASIS AND IS NOT TO BE USED IN ANY WAY DETRIMENTAL TO THE INTERESTS OF PANDUIT CORP.



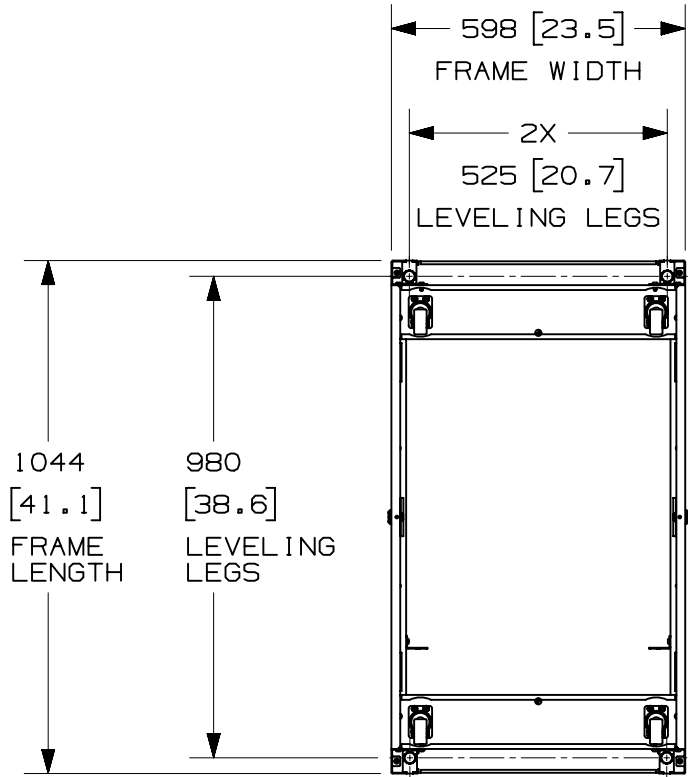
FRONT DOOR, REAR DOOR, AND SIDE PANELS NOT SHOWN

TOP VIEW

OOA	5-17-13	TKW	PBD	SEE SHEET 1 OF 5 FOR REVISIONS	13V368ZC-DC
REV	DATE	BY	CHK	APR	DESCRIPTION

TITLE ENTERPRISE SERVER CONFIGURED CABINET 600mm WIDE x 1070mm DEEP FAMILY					
CUSTOMER DRAWING					
ITEM REVISION NAME 13V368ZC/00.PRT					
DATASET FILE NAME 13V368ZC_DC/00A.PRT					
UNLESS OTHERWISE SPECIFIED, DIMENSIONAL TOLERANCES ARE:					
INCHES		METRIC - MILLIMETER		ANGLE	
X.X	+/- 0.03	X.	+/- 0.8	+/- 1°	
X.XX	+/- 0.018	X.X	+/- 0.46		
X.XXX	+/- 0.007	X.XX	+/- 0.18		
				DRAWING NUMBER: 13V368ZC-DC	
DRAWN BY	DATE	CHK	SCALE	SIZE	
TKW	5-17-13	PBD	NONE	SHT 4 OF 5	A

THIS COPY IS PROVIDED ON A RESTRICTED BASIS AND IS NOT TO BE USED IN ANY WAY DETRIMENTAL TO THE INTERESTS OF PANDUIT CORP.



LEVELING LEGS SPACING
SOME PARTS REMOVED FOR CLARITY

REAR OF CABINET
BOTTOM VIEW

					TITLE ENTERPRISE SERVER CONFIGURED CABINET 600mm WIDE x 1070mm DEEP FAMILY									
					CUSTOMER DRAWING									
					ITEM REVISION NAME 13V368ZC/00.PRT			PANDUIT TM						
					DATASET FILE NAME 13V368ZC_DC/00A.PRT									
					UNLESS OTHERWISE SPECIFIED, DIMENSIONAL TOLERANCES ARE:									
					INCHES		METRIC - MILLIMETER		ANGLE					
					X.X +/- 0.03	X. +/- 0.8	+/- 1°							
					X.XX +/- 0.018	X.X +/- 0.46								
					X.XXX +/- 0.007	X.XX +/- 0.18								
OOA 5-17-13 TKW PBD SEE SHEET 1 OF 5 FOR REVISIONS					13V368ZC-DC									
					DRAWN BY TKW		DATE 5-17-13		CHK PBD		SCALE NONE		DRAWING NUMBER: 13V368ZC-DC	
REV														
DESCRIPTION					ECN		SHT 5 OF 5		A					