

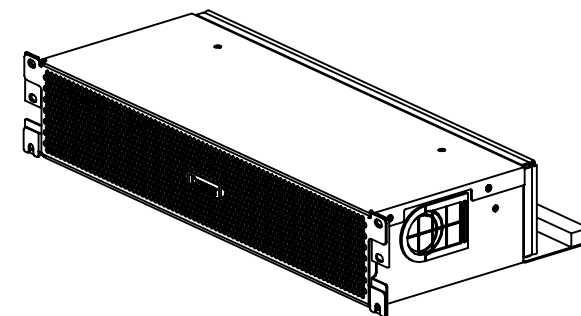
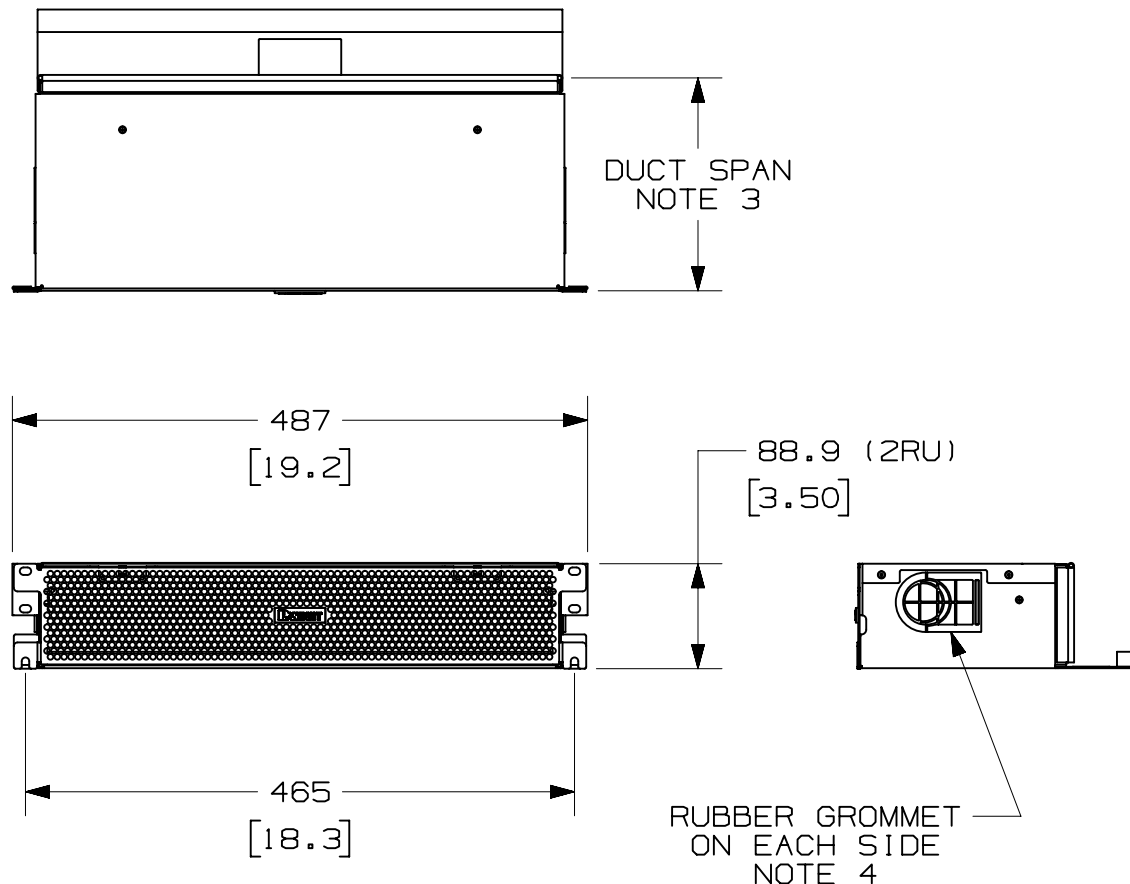
2

1

THIS COPY IS PROVIDED ON A RESTRICTED BASIS AND IS NOT TO BE USED IN ANY WAY DETRIMENTAL TO THE INTERESTS OF PANDUIT CORP.

PANDUIT PART NO.	WEIGHT
DIFBA2002S00S	8.2 LBS/EACH

- NOTES:
- PRIMARY DIMENSIONS ARE MILLIMETERS (mm). DIMENSIONS IN PARENTHESES ARE IN INCHES (IN)
 - PARTS SUPPLIED
1 - 2 RU DUCT
1 - FRONT PERF PLATE
1 - HARDWARE KIT
 - SLIDE BRACKET EXTENDS TO PROVIDE A SPAN (WITH CONSIDERATION FOR SEALS) OF 175.6mm [6.91"] - 200.9mm [7.91"] TO ACCOMODATE A SWITCH MOUNTING DEPTH OF 29" TO 30".
 - 2 RUBBER GROMMETS (1 ON EACH SIDE) PROVIDED FOR EASY ACCESS TO POWER.



REV	DATE	BY	CHK	APR	DESCRIPTION	ECN
00A	8/22/14	TGO			RELEASED	10V168PJ

TITLE INLET DUCTING FOR CISCO 9396 SWITCH DIFBA2002S00S CONTROL DRAWING		PANDUIT
ITEM REVISION NAME 10V168PJ/00	DATASET FILE NAME 10V168PJ_DC/00A	
DRAWING NUMBER: 10V168PJ-DC		MATERIAL: N/A
THIRD ANGLE PROJECTION	DRAWING NUMBER: 10V168PJ-DC	
DRAWN BY TGO	DATE 8/22/14	SCALE NONE
SHT 1 OF 1		SIZE A

2

1