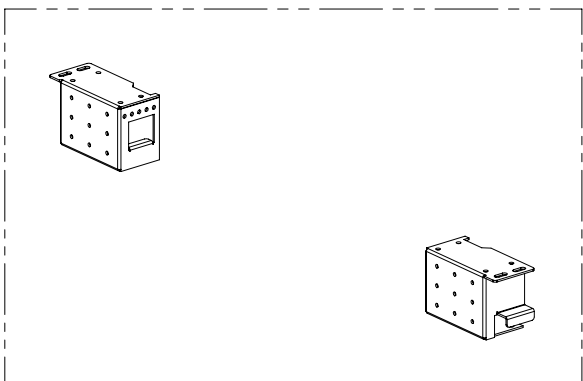


(1) SET OF E-RAILS

PANDUIT PART NO.	DESCRIPTION	WEIGHT
D2ER*	D-TYPE E-RAIL 600/800mm WIDE X 42RU	6.09 Kg/EACH (13.43 LBS/EACH)
D5ER*	D-TYPE E-RAIL 600/800mm WIDE X 45RU	6.5 Kg/EACH (14.33 LBS/EACH)
D8ER*	D-TYPE E-RAIL 600/800mm WIDE X 48RU	7.5 Kg/EACH (16.23 LBS/EACH)

NOTE:
 * DENOTES COLOR - ADD SUFFIX
 "B" FOR BLACK AND "W" FOR WHITE



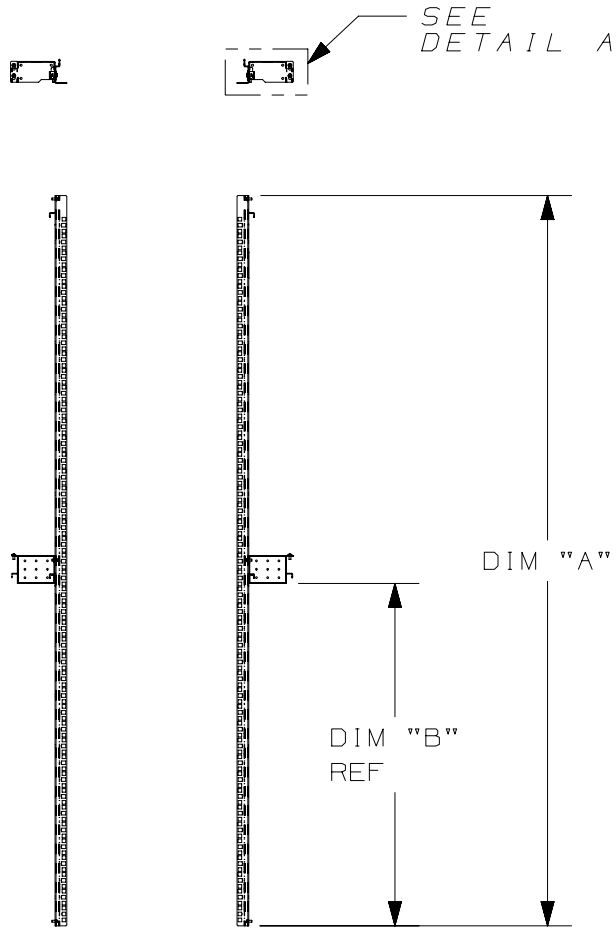
E-RAIL CENTER MOUNTING BRACKETS (NOT INSTALLED)

- NOTES:
- VISIT OUR ON-LINE CATALOG AT WWW.PANDUIT.COM FOR A LIST OF CURRENT PARTS APPLICABLE FOR USE WITH THIS PRODUCT.
 - PRIMARY DIMENSIONS ARE IN MILLIMETERS (mm).
 - PARTS SUPPLIED:
 (1)- SET OF E-RAILS
 (1)- HARDWARE KIT
 (1)- INSTRUCTION SHEET

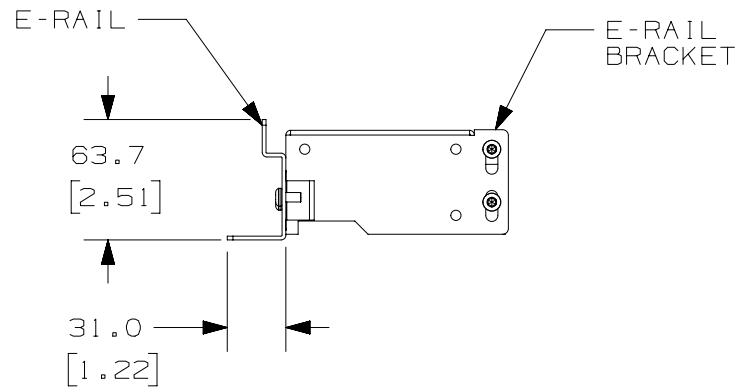
REV	DATE	BY	CHK	APR	DESCRIPTION	ECN	TITLE				SIZE
							D-TYPE E-RAIL D*ER*				
							CUSTOMER DRAWING				
							ITEM REVISION NAME		PANDUIT		
						15V526ZN/06					
							DATASET FILE NAME		MATERIAL: N/A		
						15V526ZN_DC/06A					
06A	6-1-18	LEE	DWR	SJP	A. ADDED D8ER* TO CHARTS ON SHEET 1 & 2 (CORRECTED WEIGHT FOR 42 & 45)	V09001RP	DRAWING NUMBER: 15V526ZN-DC				
04A	1-17-17	LEE	DWR		RELEASED TO PRODUCTION	V09001CM/05					
							 THIRD ANGLE PROJECTION				
							DRAWN BY	DATE	CHK	SCALE	
							LEE	1-17-17	DWR	NONE	
							SHT 1 OF 2				A

D10100DA/20

THIS COPY IS PROVIDED ON A RESTRICTED BASIS AND IS NOT TO BE USED IN ANY WAY DETRIMENTAL TO THE INTERESTS OF PANDUIT CORP.



PANDUIT PART NO.	DESCRIPTION	DIM "A"	DIM "B"
D2ER*	D-TYPE E-RAIL 600/800mm WIDE X 42RU	1932.2 [76.07]	905.9 [35.67]
D5ER*	D-TYPE E-RAIL 600/800mm WIDE X 45RU	2065.6 [81.32]	972.6 [38.29]
D8ER*	D-TYPE E-RAIL 600/800mm WIDE X 48RU	2198.9 [86.57]	1039.2 [40.91]



DETAIL A
SCALE 1 : 4

REV	DATE	BY	CHK	APR	DESCRIPTION	ECN
06A	5-31-18	LEE	DWR	SJP	SEE SHEET 1 FOR REVISIONS	V09001RP
04A	1-17-17	LEE	DWR		SEE SHEET 1 FOR REVISIONS	V09001CM/05

TITLE		D-TYPE E-RAIL D*ER*	
CUSTOMER DRAWING			
ITEM REVISION NAME		15V526ZN/06	
DATASET FILE NAME		15V526ZN_DC/06A	
MATERIAL:		N/A	
DRAWING NUMBER:		15V526ZN-DC	
DRAWN BY	DATE	CHK	SCALE
LEE	1-17-17	DWR	NONE
THIRD ANGLE PROJECTION		SHT 2 OF 2	
SIZE		A	

DI0100DA/20