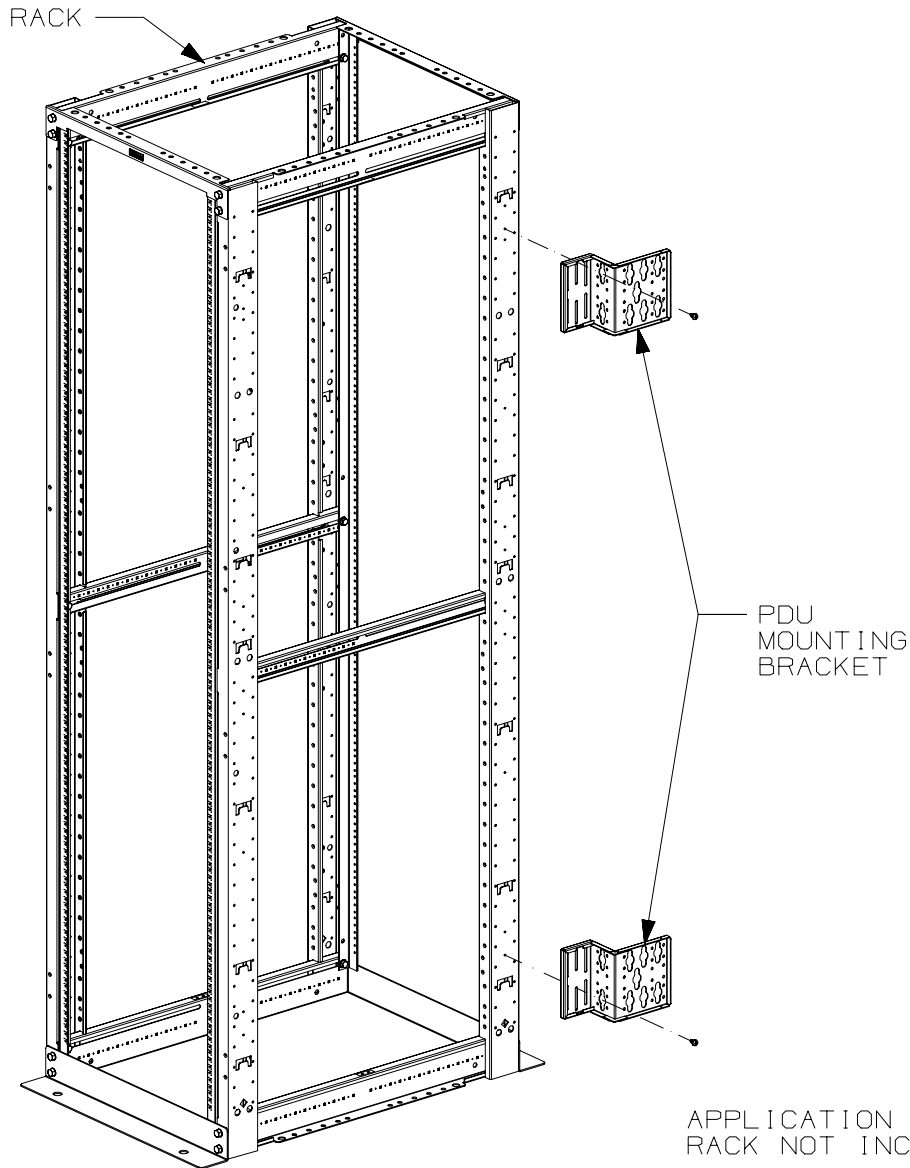
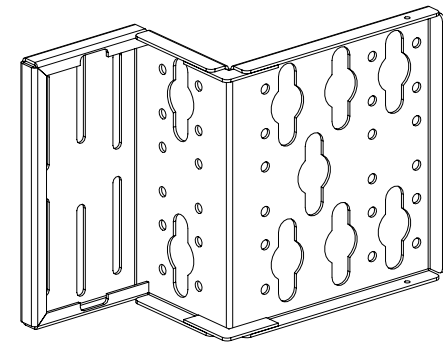


THIS COPY IS PROVIDED ON A RESTRICTED BASIS AND IS NOT TO BE USED IN ANY WAY DETRIMENTAL TO THE INTERESTS OF PANDUIT CORP.



PANDUIT PART NO.	WEIGHT
CVPDUB	2.7 LBS/EACH 1.2 Kg/EACH

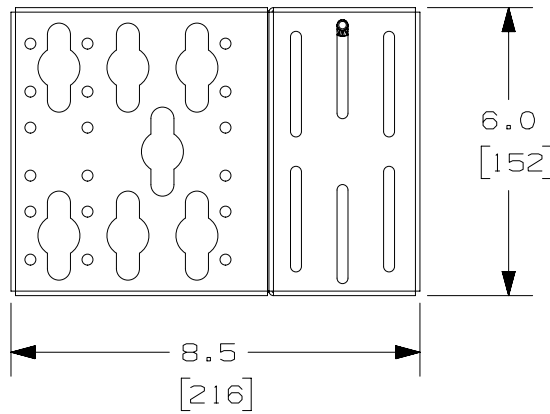
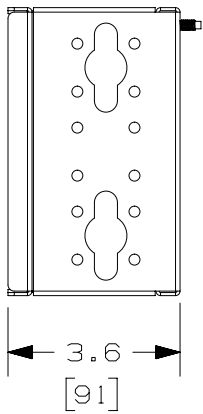
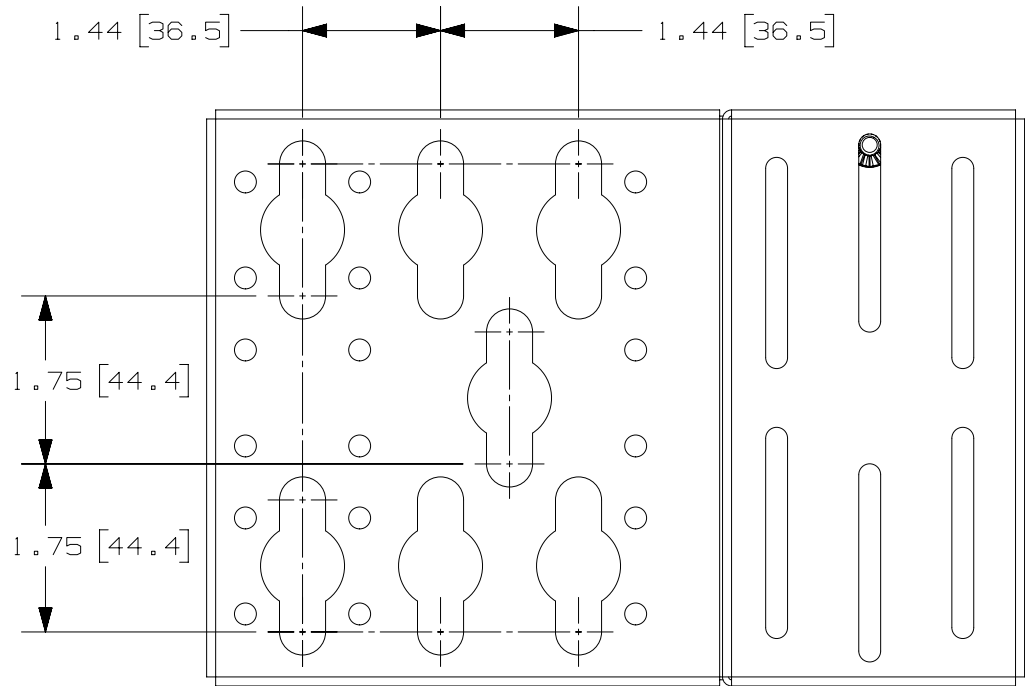
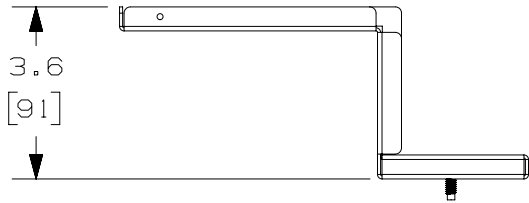
1. VISIT OUR ON-LINE CATALOG AT [WWW.PANDUIT.COM](http://WWW.PANDUIT.COM) FOR A LIST OF CURRENT PARTS APPLICABLE FOR USE WITH THIS PRODUCT.
2. DIMENSIONS IN PARENTHESES
3. PARTS SUPPLIED:  
1- PAIR OF PDU MOUNTING BRACKETS  
1- HARDWARE KIT
4. FULLY BONDED STRUCTURE WHEN ASSEMBLED PER INSTRUCTIONS.
5. SEE INSTALLATION INSTRUCTIONS CM344\*\* FOR EXACT MOUNTING LOCATIONS.



TITLE									
PDU VERTICAL MOUNTING BRACKET (CVPDUB)									
CUSTOMER DRAWING									
ITEM REVISION NAME					V10502ZH/03				
DATASET FILE NAME					V10502ZH_DC/03B				
UNLESS OTHERWISE SPECIFIED, DIMENSIONAL TOLERANCES ARE:					MATERIAL:				
					STEEL				
					DRAWING NUMBER:				
					V10502ZH-DC				
DRAWN BY		DATE		CHK		SCALE		SIZE	
TWV		2-20-12		NAGL		NONE		SHT 1 OF 2	
THIRD ANGLE PROJECTION									

REV	DATE	BY	CHK	APR	DESCRIPTION	ECN
03B	5-1-17	TWV	JEFK		REPLACED CABINET WITH 4 POST RACK	V10502ZH-DC
03A	2-20-12	TWV	NAGL		P/N: WAS V10502CU-DC	V10502ZH-DC

THIS COPY IS PROVIDED ON A RESTRICTED BASIS AND IS NOT TO BE USED IN ANY WAY DETRIMENTAL TO THE INTERESTS OF PANDUIT CORP.



TITLE		PDU VERTICAL MOUNTING BRACKET (CVPDUB)		
ITEM REVISION NAME		CUSTOMER DRAWING		
DATASET FILE NAME		V10502ZH/03	<b>PANDUIT</b>	
UNLESS OTHERWISE SPECIFIED, DIMENSIONAL TOLERANCES ARE:		V10502ZH_DC/03B		
DRAWING NUMBER:		STEEL		
DRAWING NUMBER:		V10502ZH-DC		
DRAWN BY		DATE	CHK	SCALE
TWV		2-20-12	NAGL	NONE
THIRD ANGLE PROJECTION		SHT 2 OF 2		
SIZE		A		

REV	DATE	BY	CHK	APR	DESCRIPTION	ECN
03B	5-1-17	TWV	JEFK		SEE SHEET 1 OF 2 FOR REVISIONS	V10502ZH-DC
03A	2-20-12	TWV	NAGL		SEE SHEET 1 OF 2 FOR REVISIONS	V10502ZH-DC