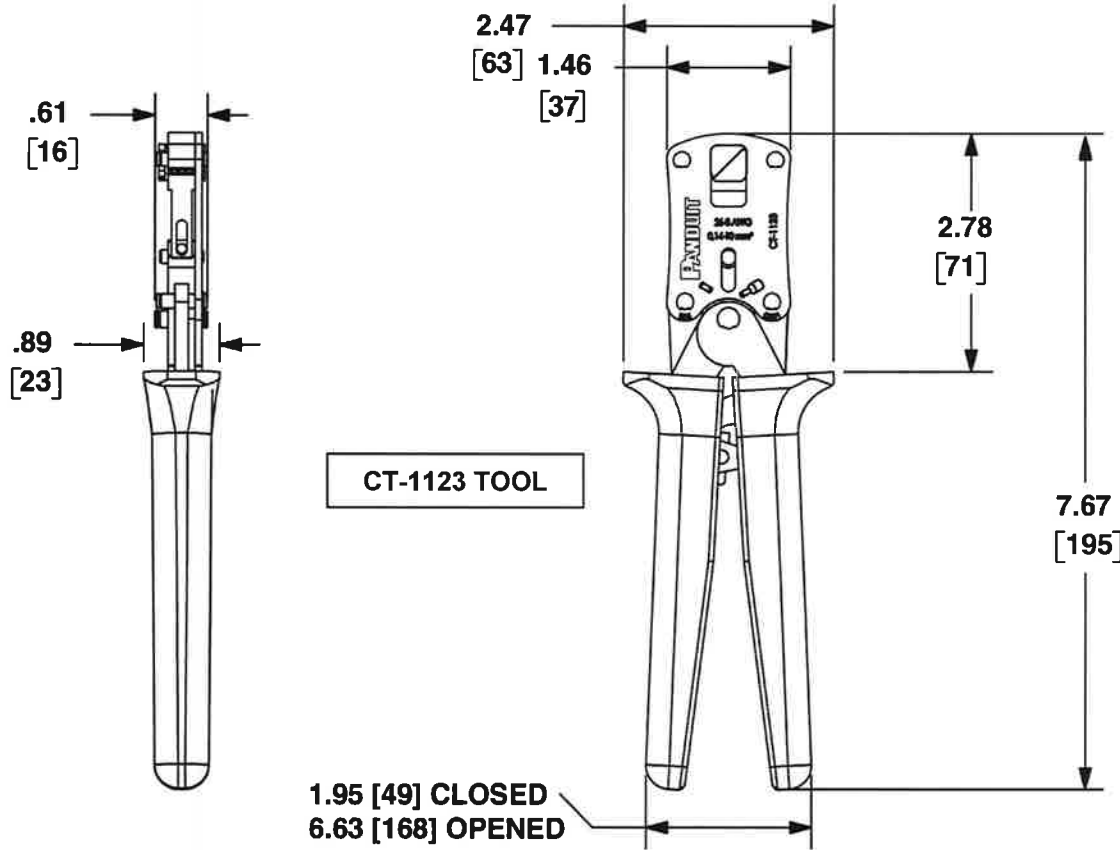


THIS COPY IS PROVIDED ON A RESTRICTED BASIS AND IS NOT TO BE USED IN ANY WAY DETRIMENTAL TO THE INTERESTS OF PANDUIT CORP.



CT-1123 TOOL

1.95 [49] CLOSED
6.63 [168] OPENED

NOTES, UNLESS OTHERWISE SPECIFIED:

Panduit Tool Number CT-1123 is used to install single and dual wire Panduit insulated and non-insulated loose piece ferrules.

Crimps the following types:

- FTD type: 2 x 22 [.50mm²] to 2 x 12 [4.0mm²] AWG insulated ferrules
- FSD and FSF type: #26 [.14mm²] – #8 [10.0mm²] AWG insulated ferrules
- F type: #22 [.50mm²] – #16 [1.5mm²] AWG; and #12 [4.0mm²] – #8 [10.0mm²] AWG non-insulated ferrules

TOOL FEATURES INCLUDE:

1. Self-adjusting crimp die for Insulated and non-insulated ferrules. Ferrule size dependent on wire gage. Refer to ferrule packaging for proper ferrule and wire combinations.
2. Controlled cycle mechanism prevents tool from opening before crimp cycle is complete.
3. Manual release lever, push forward in the event that controlled cycle mechanism must be released.
4. Resilient grips to prevent operator fatigue.
NOTE: The grips are NOT intended to insulate against electrical shock.

TOOL WEIGHT: 10.6 oz. (300 gr.)

DIMENSIONS SHOWN IN PARENTHESES ARE MILLIMETERS.

F:\wrkgr\rvusers\ENGR DOCS\CUSTOMER DRAWINGS\TP25123B01_02 CT-1123 CD.doc

REV	DATE	BY	CHK	APR	DESCRIPTION	ECN	CT-1123					
							CUSTOMER DRAWING					
							ITEM REVISION NAME: TP25123B01_02			PANDUIT		
02	6-26-14	BLR	<i>[Signature]</i>	<i>[Signature]</i>	UPD TOOL HEAD GRAPHIC	4754	UNLESS OTHERWISE SPECIFIED, DIMENSIONAL TOLERANCES ARE: (.x) ± — (.xxx) ± — (.xx) ± — ANGLES ± —			MATERIAL: SEE NOTES		
01	4-02-13	BLR	BJPU	ABJ	UPD TEMPLATE, BRANDING	4609	THIRD ANGLE PROJECTION			DRAWING NUMBER: TP25123B01		
00	3-29-06	BLR	SRRE	RFL	RELEASED	4195						
							DRAWN BY: BLR	DATE: 3-29-06	CHK SRRE	SCALE NONE	SHT 1 OF 1	SIZE B