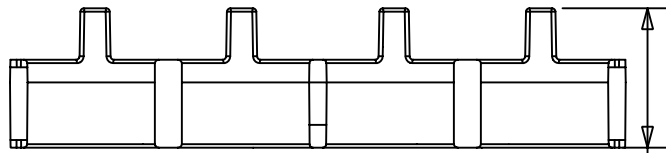
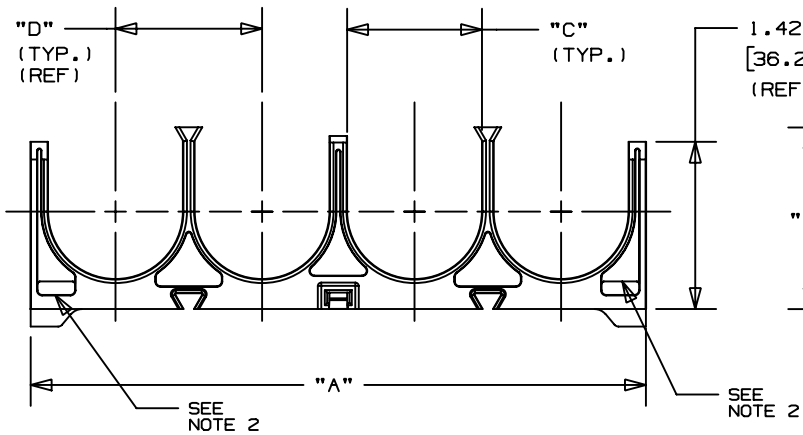


THIS COPY IS PROVIDED ON A RESTRICTED BASIS AND IS NOT TO BE USED IN ANY WAY DETRIMENTAL TO THE INTERESTS OF PANDUIT CORP.

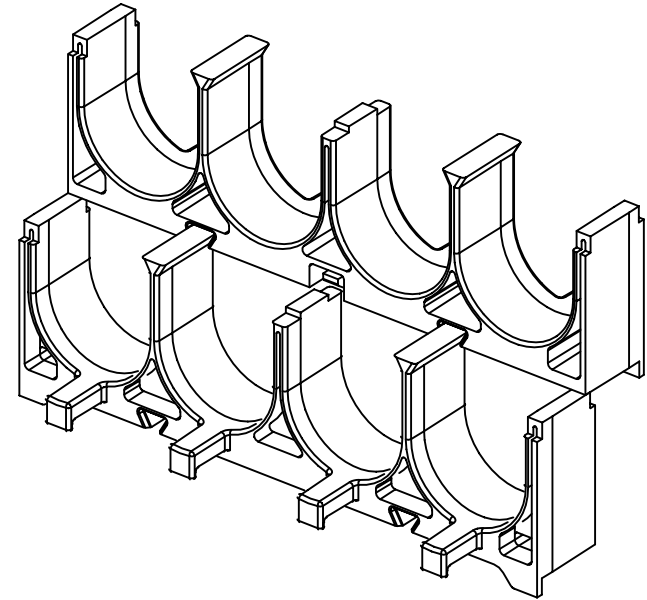
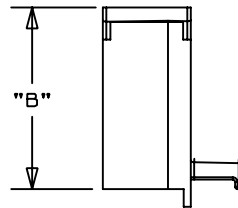
PANDUIT PART NO. *	DIMENSIONS				WEIGHT (lbs / grams) / 10 pcs
	"A"	"B"	"C" ±0.030	"D"	
CRS4-125-	5.24 (133.09)	1.55 (39.37)	1.15 (29.21)	1.25 (31.75)	0.65 (294.8)



1.18
[29.97]
(REF)



1.42
[36.20]
(REF)



NOTES:

- *1. SEE CURRENT PRICE SHEET FOR PART NUMBER SUFFIX DESIGNATION FOR PACKAGE SIZE AND COLOR.
2. PRODUCT IS MOUNTED TO APPLICATION SURFACE USING (2) CABLE TIES, UP TO A STANDARD CROSS-SECTION.
3. THIS PRODUCT CONTAINS A MALE/FEMALE ATTACHMENT SYSTEM WITH A LOCKING LATCH. MAXIMUM STACK HEIGHT IS EQUAL TO 4 PARTS.
4. STANDARD CABLE TIES OR VELCRO TIES CAN BE USED TO SECURE CABLE TO PART.

DIMENSIONS IN BRACKETS ARE METRIC [mm]

CAD FILENAME/LAYERS

GB2418BC_PB_CRS4125_04

PANDUIT

CORP. TINLEY PARK, ILLINOIS

CABLE RACK SPACER
(CRS4-125-)

UNLESS OTHERWISE SPECIFIED,
DIMENSIONAL TOLERANCES ARE:
(.X) ±0.05 (1.3) (.XXX) ±0.010 (0.25)
(.XX) ±0.02 (0.5) ANGLES ± 5°

UNLESS OTHERWISE SPECIFIED,
ALL DIMENSIONS ARE GIVEN
IN INCHES, THIRD ANGLE PROJECTION.

DRAWN BY

JAD

MAT'L:

NYLON 6/6
25% GLASS
FLAME RETARDANT

SCALE

NONE

DATE

10/19/00

DRAWING NO.

GB2418BC

DWG

A
SIZE

REV	DATE	BY	CHK	DESCRIPTION	ECN	R	CUST	SUP
4	12/7/01	JAD		REVISED MATERIAL, UPDATED DIMENSION 'A' & 'B', & PART WEIGHT	GB2418BC	4		
3	4/11/01	LGG		REVISED DIMENSIONS "C"	GB2418BC	3		
2	12/22/00	JAD		REVISED MATERIAL WAS POLYCARBONATE ABS BLEND (FR), UPDATED DIMENSIONS	GB2418BC	2		