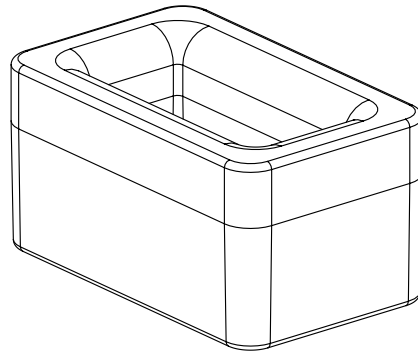
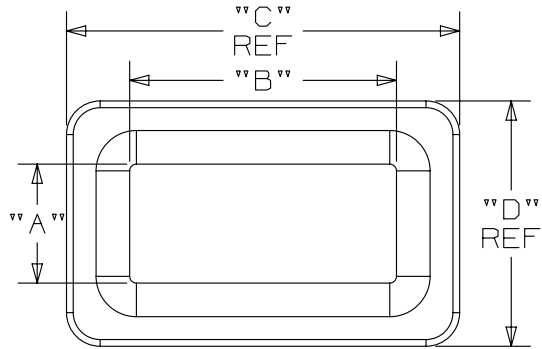


THIS COPY IS PROVIDED ON A RESTRICTED BASIS AND IS NOT TO BE USED IN ANY WAY DETRIMENTAL TO THE INTERESTS OF PANDUIT CORP.

PANDUIT PART NUMBER*	MAT'L SUFFIX	MATERIAL	DIMENSIONS					WEIGHT lbs/100 pcs (g)/100 pcs	USE WITH ANY OF THESE CABLE TIE CROSS-SECTIONS
			'A'	'B'	'C' REF	'D' REF	'E' REF		
CR2	NONE	NYLON 6/6	0.13 (3.30)	0.21 (5.33)	0.33 (8.38)	0.24 (6.09)	0.20 (5.0)	0.04 (18.1)	M, I, S
CR4H	NONE	NYLON 6/6	0.17 (4.32)	0.33 (8.38)	0.57 (14.6)	0.36 (9.1)	0.30 (7.6)	0.16 (72.6)	M, I, S, LH
	0	WEATHER RESISTANT NYLON 6/6 (BLACK)							
	30	HEAT STABILIZED NYLON 6/6 (BLACK)							



- NOTES:
- SEE www.panduit.com FOR CURRENT PART NUMBER SUFFIX DESIGNATION AND FOR PACKAGE SIZE AND PART COLOR.
 - CABLE TIE CROSS-SECTION CODE: M=MINATURE, I=INTERMEDIATE, S=STANDARD, LH=LIGHT HEAVY

DIMENSIONS IN BRACKETS ARE METRIC [mm]

REV	DATE	BY	CHK	APR	DESCRIPTION	ECN
12	5/08/13	BWG	JADE	RTF	UPDATED NOTE 1 AND TITLE BORDER.	GB0239EB/12

TITLE CR2/CR4H - CONNECTOR RING		CUSTOMER DRAWING	
ITEM REVISION NAME 10B015JM/00		PANDUIT	
DATASET FILE NAME 10B015JM_DC/00-GB0239EB_REV12			
UNLESS OTHERWISE SPECIFIED, DIMENSIONAL TOLERANCES ARE: IN [mm] .x ± 0.05 [1.3] .xxx ± .010 [.25] .xx ± .02 [0.5] ANGLES ± 5 °		MATERIAL: SEE TABLE	
DRAWING NUMBER: GB0239EB		DRAWING NUMBER: GB0239EB	
DRAWN BY MLD	DATE 8/26/96	CHK	SCALE NONE
SHT 1 OF 1		SIZE A	

D10100DA/15