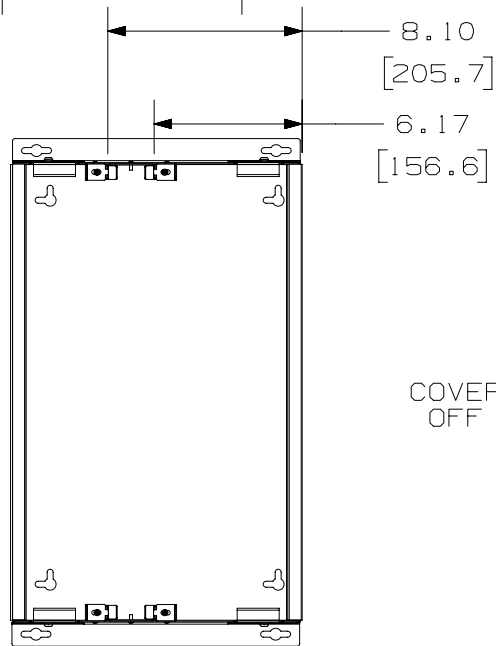
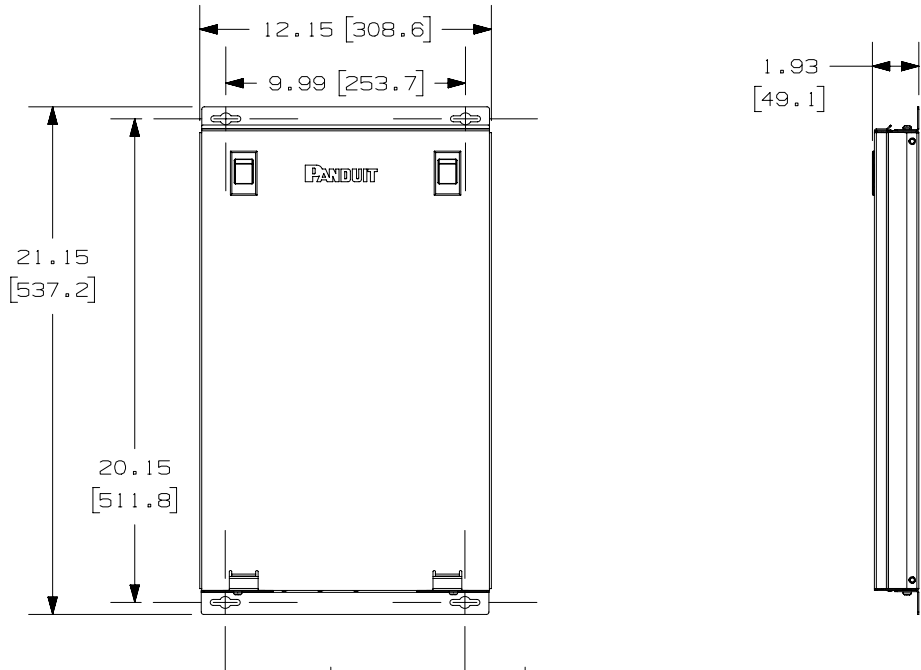
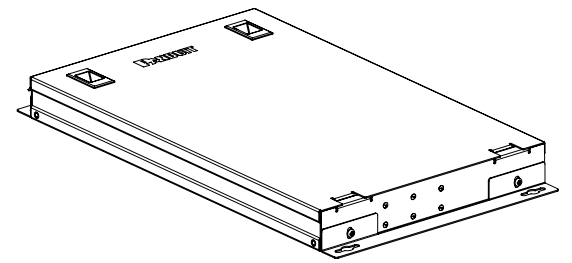


THIS COPY IS PROVIDED ON A RESTRICTED BASIS AND IS NOT TO BE USED IN ANY WAY DETRIMENTAL TO THE INTERESTS OF PANDUIT CORP.



- NOTES:
1. VISIT OUR ON-LINE CATALOG AT WWW.PANDUIT.COM FOR A LIST OF CURRENT PARTS APPLICABLE FOR USE WITH THIS PRODUCT.
 2. DIMENSIONS IN [] ARE METRIC.
 3. ALL MATERIALS AND COMPONENTS USED MEET THE MATERIAL RESTRICTIONS OF RoHS (EUROPEAN DIRECTIVE 2011/65/EU ON THE RESTRICTION OF HAZARDOUS SUBSTANCES) AS PROPOSED BY THE RoHS TECHNICAL ADAPTATION COMMITTEE.
 4. WEIGHT: 12 lbs [5443 g]
 5. PART INCLUDES: BASE, COVER, EXTERNAL MOUNTING BRACKETS (2), SCREWS (4)
 6. COMPATIBLE WITH PANDUIT 1RU PATCH PANELS (SOLD SEPARATELY)



PART NUMBER		CPB24BL		
TITLE				
24 PORT CONSOLIDATION POINT BOX				
CUSTOMER DRAWING				
ITEM REVISION NAME		01335NAM/01		
DATASET FILE NAME		01335NAM_DC/01A		
MATERIAL		SEE NOTE 5		
DRAWN BY		DATE	CHK	SCALE
BJN		11-4-19	BSN	NONE
DRAWING NUMBER		01335NAM-DC		
REV		DATE	BY	CHK
01A	11-4-19	BJN	BSN	BETL
DESCRIPTION		RELEASED TO PRODUCTION		
ECN		M09000KT		
SHEET 1 OF 1		A		

A-SIZE CUSTOMER

2

1

2

1