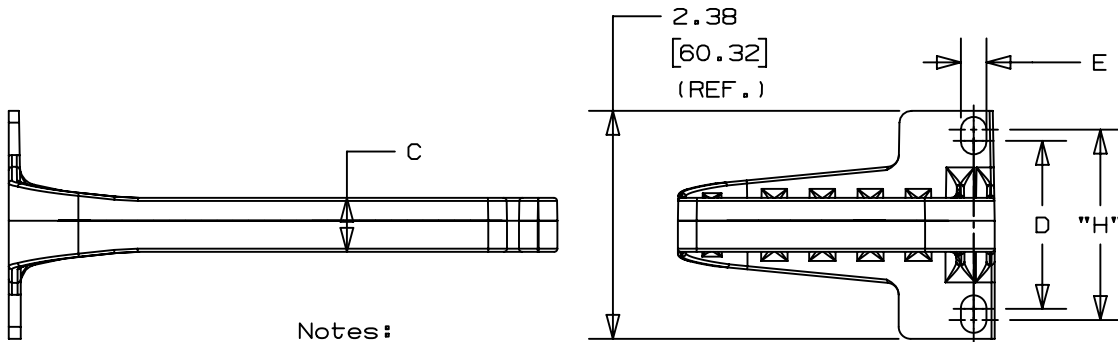
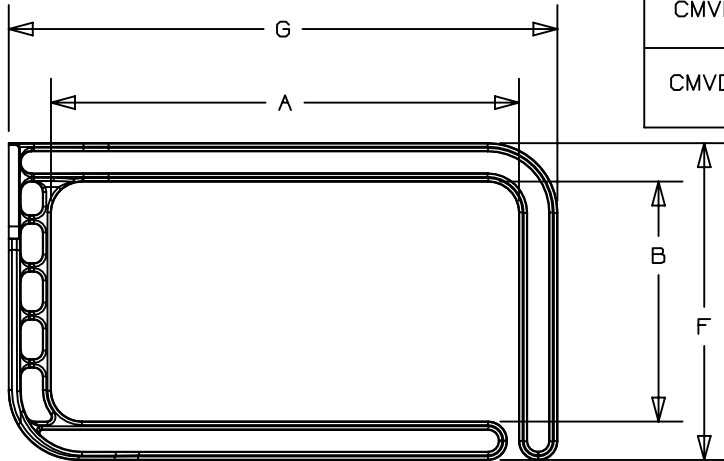


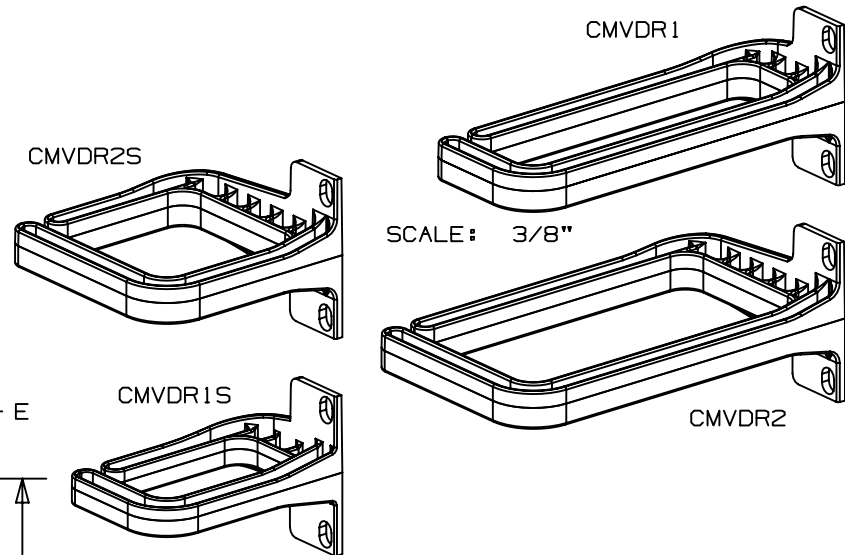
THIS COPY IS PROVIDED ON A RESTRICTED BASIS AND IS NOT TO BE USED IN ANY WAY DETRIMENTAL TO THE INTERESTS OF PANDUIT CORP.

PANDUIT PART NO. *	DIMENSIONS								WEIGHT lbs / 10 grams / pcs
	A MIN	B MIN	C	D**	E	F (REF)	G (REF)	H**	
CMVDR1	4.80 (121.92)	1.18 (29.97)	0.56 (14.29)	1.75 (44.45)	0.263 (6.68)	2.05 (52.07)	5.72 (145.2)	1.97 (50.0)	0.84 / (381.1)
CMVDR2		2.40 (60.9)				3.30 (83.82)			
CMVDR2S	2.40 (60.9)	1.18 (29.97)	0.437 (11.09)			2.05 (52.07)	3.26 (82.8)		0.747 / (338.9)
CMVDR1S						0.433 / (149.68)			



Notes:

- \* 1. See current price sheet for part number suffix designation for package size and color.
- \*\* 2. This product is compatible with EIA/TIA rack mount hole spacing (1.75") and 50mm hole spacing (1.75") and 50mm hole spacing (1.75"). The maximum mounting hardware is 0.250" (6.5 mm) diameter.



DIMENSIONS IN BRACKETS ARE METRIC [ mm ]

CAD FILENAME/LAYERS G03597EQ\_DC\_GB2248BM/06A

**PANDUIT**

CORP. TINLEY PARK, ILLINOIS

CABLE MANAGEMENT  
VERTICAL 'D' RING  
(CMVDR\_ )

CUSTOMER DRAWING

UNLESS OTHERWISE SPECIFIED,  
DIMENSIONAL TOLERANCES ARE:

(.X) ±0.05 [1.3] (.XXX) ±0.010 [0.25]  
(.XX) ±0.02 [0.5] ANGLES ± 5°

UNLESS OTHERWISE SPECIFIED,

ALL DIMENSIONS ARE GIVEN  
IN INCHES, THIRD ANGLE PROJECTION.

DRAWN BY JAD

MAT'L:

SCALE 1/2

DATE 12-15-99

FLAME RETARDANT  
POLYCARBONATE

DRAWING NO.

GB2248BM

DWG

A  
SIZE

REV	DATE	BY	CHK	DESCRIPTION	ECN	R	CUST	SUP
06A	12/8/20	LEE	PATR	A. MOUNTING HOLES CHANGED TO SLOTS ADDED DIM "H"	V09002KN/00	06A		
3	11/1/01	JAD		ADDED CMVDR1S, UPDATED TABLE AND 3-D VIEW	GB2248BM	3		
2	10/20/00	JAD		DIM 'E' WAS .265 (6.73), 'B' WAS 2.48 (62.9) 'A' WAS 2.42 (61.5)	GB2248BM	2		