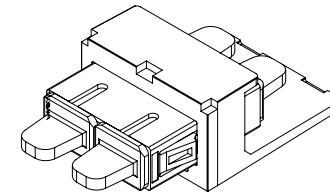
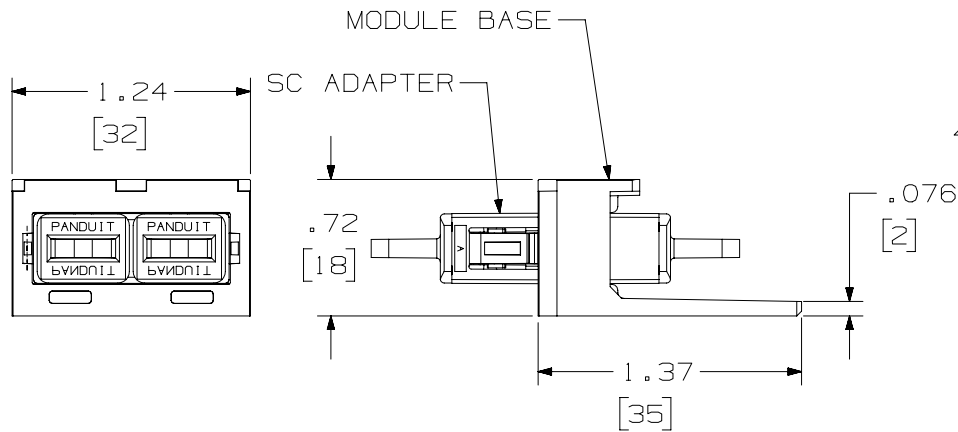
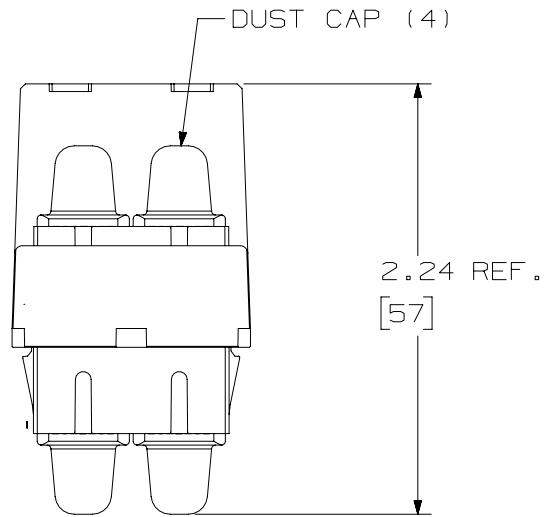


THIS COPY IS PROVIDED ON A RESTRICTED BASIS AND IS NOT TO BE USED IN ANY WAY DETRIMENTAL TO THE INTERESTS OF PANDUIT CORP.



| PANDUIT P/N | WEIGHT | SPLIT SLEEVE TYPE |
|-------------|--------------------------------------|-------------------|
| CMDAGSCZ** | 2.2 lbs/100 pcs (980.0 g/100 pcs) | ZIRCONIA |
| CMDAQSCZ** | | |
| CMDEISCZ** | | |
| CMDBLSCZ** | | |
| CMDBUSCZ** | | |
| CMDCLSCZ** | | |

NOTES:

- SEE CURRENT CATALOG FOR PART NUMBER SUFFIXES TO INDICATE COLOR OF MODULE BASE, AND/OR PACKAGE QUANTITIES.
- SEE CATALOG FOR COMPLETE LIST OF PARTS APPLICABLE FOR USE WITH THIS PART.
- MATERIALS:
 - MODULE BASE: PLASTIC
 - ADAPTER HOUSING: PLASTIC
 - SPLIT SLEEVE: ZIRCONIA
 - INNER LATCH: POLYETHERIMIDE
 - DUST CAP: ELASTOMER
- DIMENSIONS IN [] ARE IN METRIC.

| | | | |
|---|-----------------|---|-------|
| PART NUMBER | | CMD**SCZ** | |
| TITLE | | | |
| MINI-COM DUAL MODULE SPACE DUPLEX SC MODULE | | | |
| CUSTOMER DRAWING | | | |
| ITEM REVISION NAME | | M0115BG/01 | |
| DATASET FILE NAME | | M0115BG_DC/01E | |
| UNLESS OTHERWISE SPECIFIED, DIMENSIONAL TOLERANCES ARE: IN [mm] | | MATERIAL: | |
| .X ± | | .XXX ± | |
| .XX ± | | ANGLES ± | |
| DRAWING NUMBER: | | SEE NOTES | |
| DRAWING NUMBER: | | 01115-09 | |
| THIRD ANGLE PROJECTION | DRAWING NUMBER: | | |
| THIRD ANGLE PROJECTION | 01115-09 | | |
| DRAWN BY | DATE | CHK | SCALE |
| MC | 06-20-01 | PJI | NONE |
| REV | DATE | BY | CHK |
| 01E | 04-05-19 | SAT | JSP |
| APR | AW | B. REMOVED PHOS BRONZE. C. ADDED P/N CMDLSCZ**. | |
| DESCRIPTION | ECN | SHT 1 OF 1 | |
| DESCRIPTION | | A | |

D10100DA/14