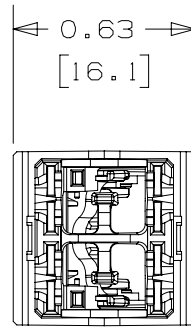
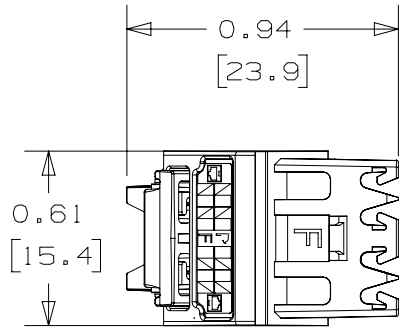
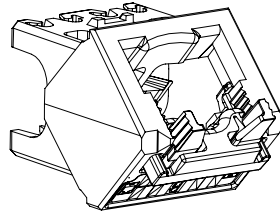
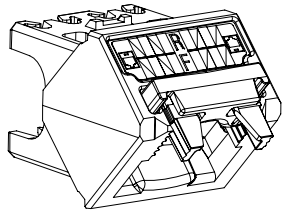


THIS COPY IS PROVIDED ON A RESTRICTED BASIS AND IS NOT TO BE USED IN ANY WAY DETRIMENTAL TO THE INTERESTS OF PANDUIT CORP.



NOTES:

1. VISIT OUR ON-LINE CATALOG AT WWW.PANDUIT.COM FOR A LIST OF CURRENT PARTS APPLICABLE FOR USE WITH THIS PRODUCT.
2. DIMENSIONS IN [] ARE METRIC.
3. WEIGHT: .45 LB/100 PCS (203 g/100 PCS).
4. TERMINATES ALL CJ**88TG** UTP JACK MODULES.
5. WIRE CAP TERMINATES CABLES UP OR DOWN (VERTICALLY).
6. TERMINATES 22-26 AWG SOLID OR STRANDED UTP CABLE.
7. RoHS COMPLIANT.

TABLE 1 - PART NUMBERS

PART NUMBER	ASSEMBLY COLOR	PERFORMANCE CATEGORY (TIA)	
		ISO	ISO
CJUDCAPBU-%	BLUE	CATEGORY 6A	CLASS EA
CJUDCAPIW-%	INTERNATIONAL WHITE	CATEGORY 6	CLASS E
CJUDCAPRD-%	RED	CATEGORY 5E	CLASS D

WHERE % -C IS FOR BULK PACK OF 100 AND -X IS FOR BULK PACK OF 10

PART NUMBER		SEE TABLE 1	
TITLE			
MINI-COM™ TG™ 45° UP-DOWN WIRE CAP CUSTOMER DRAWING			
ITEM REVISION NAME		00153LAE/04	
DATASET FILE NAME		00153LAE_DC02/04A	
		THIRD ANGLE PROJECTION	
MATERIAL		POLYCARBONATE	
DRAWING NUMBER		00153LAE-02	
DRAWN BY	DATE	CHK	SCALE
BJN	10-14-16	JAV	NONE
SHEET 1 OF 1			SIZE
			A

REV	DATE	BY	CHK	APR	DESCRIPTION	ECN
5	11-12-18	BJN	MDJR	TMBA	UPDATED	00153LAE-02
4	4-17-18	BJN	ROJC	TMBA	UPDATED	00153LAE-02



A-SIZE CUSTOMER

2

1

2

1