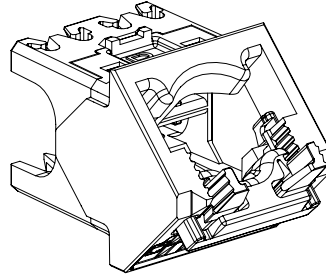
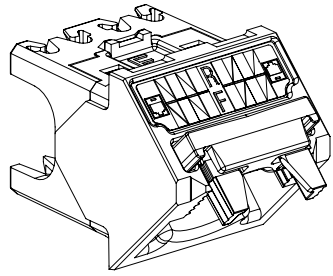


THIS COPY IS PROVIDED ON A RESTRICTED BASIS AND IS NOT TO BE USED IN ANY WAY DETRIMENTAL TO THE INTERESTS OF PANDUIT CORP.



NOTES:

1. VISIT OUR ON-LINE CATALOG AT WWW.PANDUIT.COM FOR A LIST OF CURRENT PARTS APPLICABLE FOR USE WITH THIS PRODUCT.
2. DIMENSIONS IN [ ] ARE METRIC.
3. WEIGHT: 0.45 LB/100 PCS [ 203 g/100 PCS ]
4. TERMINATES ALL CJS\*\*88TG\*\* STP JACK MODULES
5. WIRE CAP TERMINATES CABLES UP OR DOWN (VERTICALLY).
6. TERMINATES 22-26 AWG SOLID OR STRANDED STP CABLE
7. RoHS COMPLIANT.

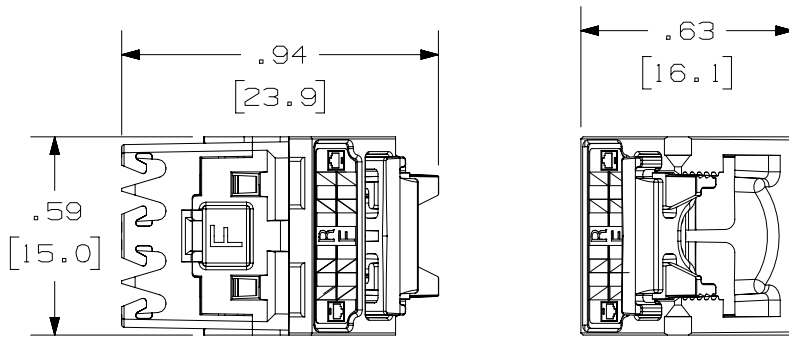
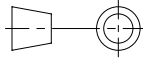


TABLE 1 - PART NUMBERS			
PART NUMBER	ASSEMBLY COLOR	PERFORMANCE CATEGORY	
		(TIA)	ISO
CJSUDCAPBU-%	BLUE	CATEGORY 6A	CLASS EA
CJSUDCAPIW-%	INTERNATIONAL WHITE	CATEGORY 6	CLASS E
CJSUDCAPRD-%	RED	CATEGORY 5E	CLASS D

WHERE % -C IS FOR BULK PACK OF 100  
AND -X IS FOR BULK PACK OF 10

PART NUMBER		SEE TABLE 1		
TITLE				
45-DEGREE ANGLED UP-DOWN SHIELDED WIRE CAP ASSEMBLY				
CUSTOMER DRAWING				
ITEM REVISION NAME		00108EAB/00		
DATASET FILE NAME		00108EAB_DC/00A		
		THIRD ANGLE PROJECTION		
MATERIAL		ZINC AND POLYCARBONATE		
DRAWING NUMBER		00108EAB-DC		
REV	DATE	BY	CHK	SCALE
00A	6-11-18	BJN	ROJC	NONE
DESCRIPTION		SHEET 1 OF 1		SIZE
RELEASED TO PRODUCTION		A		
ECN				

00A	6-11-18	BJN	ROJC	TMBA	RELEASED TO PRODUCTION	00108EAB-DC
REV	DATE	BY	CHK	APR	DESCRIPTION	ECN