

PANDUIT PART NO.	WEIGHT
CFAST	0.9 oz. / ea. (28 g.) / ea.

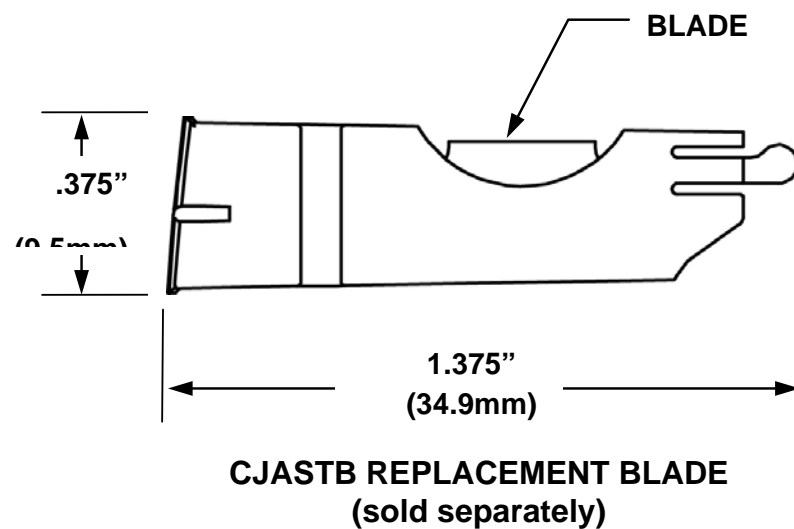
NOTES:

- STRIPS INSULATION UP TO 0.040" (1.0mm) OF MULTI CORE CABLE, UTP/STP CABLE, FIBER OPTIC CABLE, ETC.
- STRIP RANGE: 0.1" – 0.43" (2.5 – 11mm)

REPLACEMENT BLADE KIT: CFASTB
(see drawing below)

DIMENSIONS IN PARENTHESES ARE IN METRIC.

ALL DIMENSIONS ARE FOR REFERENCE ONLY.



REV	DATE	BY	CHK	APR	DESCRIPTION	ECN
03	4-15-14	BLR	BJPU	ABJ	REDRAWN—UPDATE LOGO	4737

CFAST CABLE JACK ADJUSTABLE STRIPPER TOOL CUSTOMER DRAWING						
ITEM REVISION NAME: CG24591B01_03				PANDUIT		
UNLESS OTHERWISE SPECIFIED, DIMENSIONAL TOLERANCES ARE: (.x) ± --- (.xxx) ± --- (.xx) ± --- ANGLES ± ---				MATERIAL: -----		
THIRD ANGLE PROJECTION				DRAWING NUMBER: CG24591B01		
DRAWN BY: BLR	DATE: 4-16-14	CHK BJPU	SCALE NONE	SHT 1 OF 1	SIZE B	