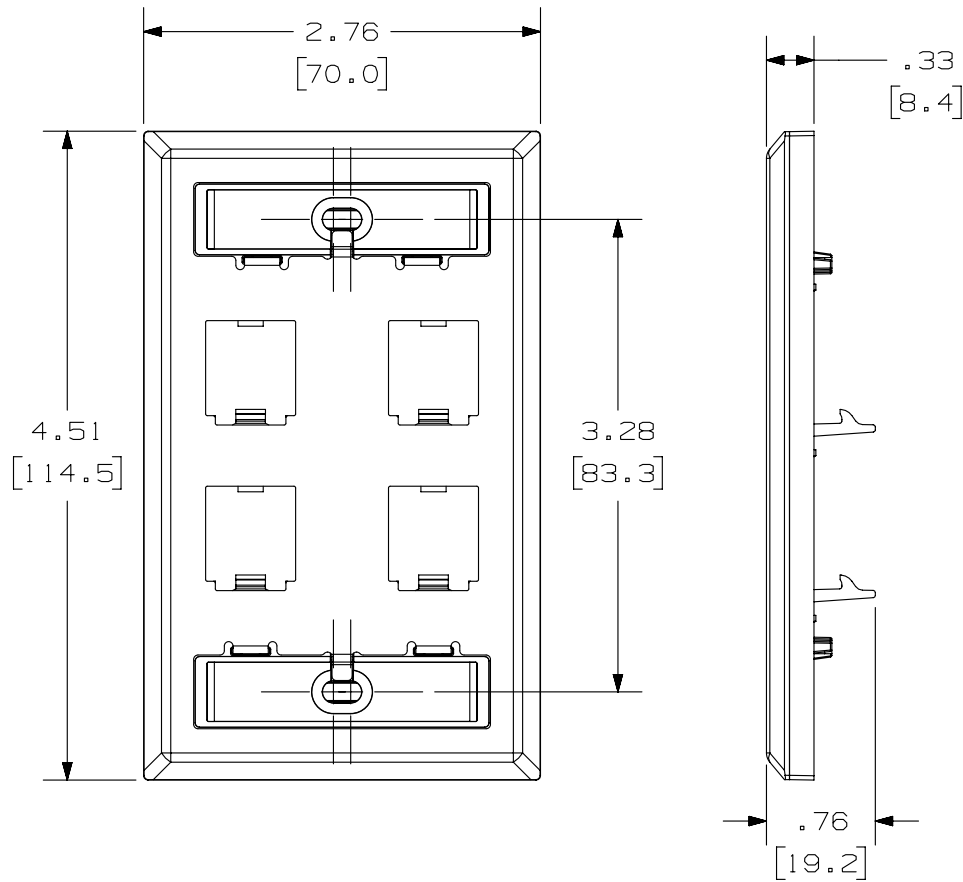


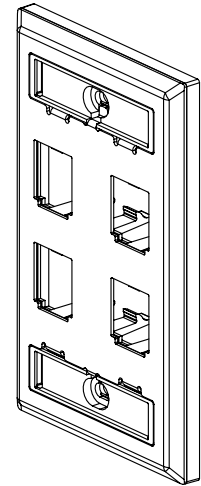
THIS COPY IS PROVIDED ON A RESTRICTED BASIS AND IS NOT TO BE USED IN ANY WAY DETRIMENTAL TO THE INTERESTS OF PANDUIT CORP.



PANDUIT P/N	WEIGHT
CFPL4SY	.92 LB/10 PCS (417.3g/10 PCS)

NOTES:

1. SEE CURRENT CATALOG FOR ADDITIONAL PART NUMBER SUFFIXES TO INDICATE COLOR AND OR PACKAGE QUANTITY.
2. SEE CATALOG FOR COMPLETE LIST OF PARTS APPLICABLE FOR USE WITH THIS PART.
3. DIMENSIONS IN PARENTHESES ARE IN METRIC.
4. PART INCLUDES:
  - 1 - FACEPLATE
  - 2 - #6-32 X 1" MOUNTING SCREWS
  - 2 - LABEL
  - 2 - LABEL COVER



PART NUMBER		CFPL4SY	
TITLE			
MINI-COM 4 POSITION STAINLESS STEEL FACEPLATE WITH LABEL/COVER			
CUSTOMER DRAWING			
ITEM REVISION NAME		M02479FJ/01	
DATASET FILE NAME		M02479FJ_DC142/01A	
UNLESS OTHERWISE SPECIFIED, DIMENSIONAL TOLERANCES ARE: IN (mm)		MATERIAL:	
.x ± .xxx ± .010 [.3]		FACEPLATE- 304 S.S.	
.xx ± .03 [.8] ANGLES ±		BACKING- ABS	
THIRD ANGLE PROJECTION		DRAWING NUMBER:	
02479-142		SHT 1 OF 1	
DRAWN BY	DATE	CHK	SCALE
JSP	3-14-06	MJD	NONE
REV	DATE	BY	CHK
2	4/15/14	JSP	REFR
1	7-30-07	JSP	JCO
R	3-14-06	JSP	MJD
APR		DESCRIPTION	
2		B. REVISED DRAWING TITLE BLOCK.	
1		A. FACEPLATE MATERIAL WAS JUST STAINLESS STEEL.	
R		RELEASED TO PRODUCTION	
ECN		02479-142	

D10100DA/14