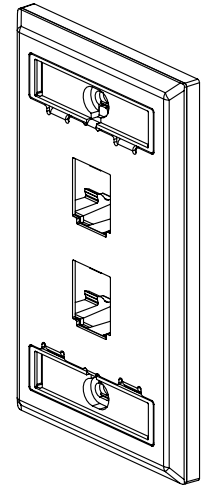
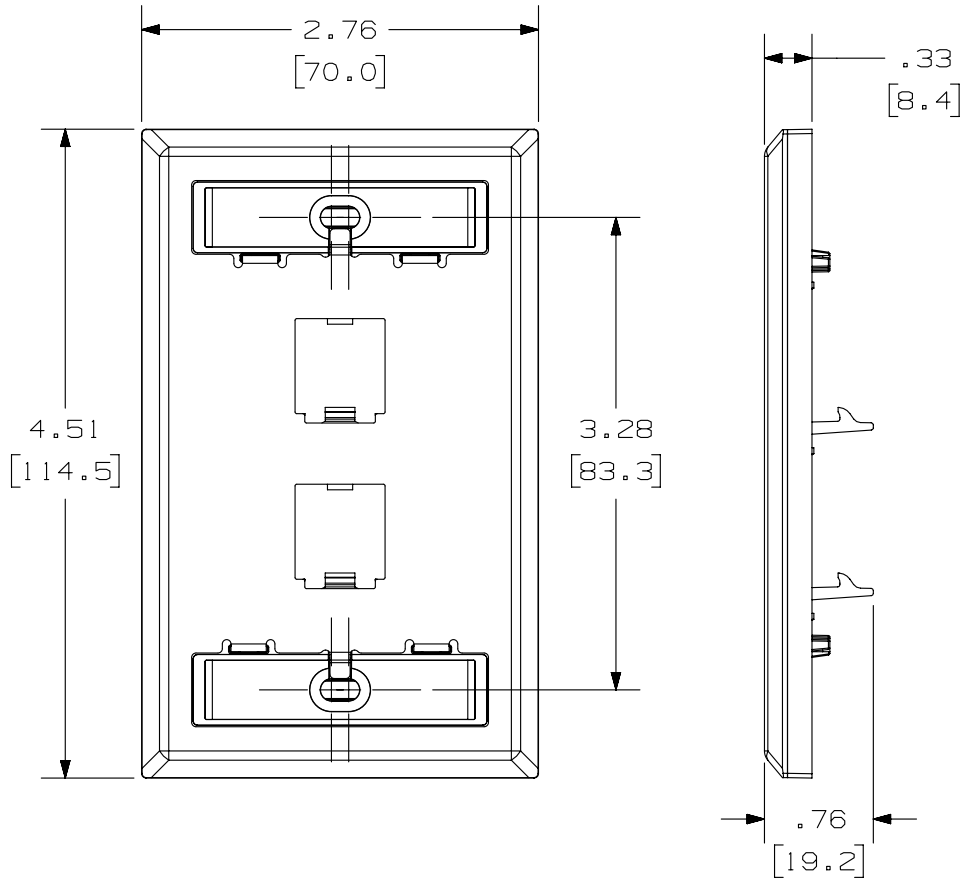


THIS COPY IS PROVIDED ON A RESTRICTED BASIS AND IS NOT TO BE USED IN ANY WAY DETRIMENTAL TO THE INTERESTS OF PANDUIT CORP.

PANDUIT P/N	WEIGHT
CFPL2SY	1.0 LB/10 PCS (458.1g/10 PCS)

NOTES:

- SEE CURRENT CATALOG FOR ADDITIONAL PART NUMBER SUFFIXES TO INDICATE COLOR AND OR PACKAGE QUANTITY.
- SEE CATALOG FOR COMPLETE LIST OF PARTS APPLICABLE FOR USE WITH THIS PART.
- DIMENSIONS IN [ ] ARE IN METRIC.
- PART INCLUDES:
  - 1- FACEPLATE
  - 2- #6-32 X 1" MOUNTING SCREWS
  - 2- LABEL
  - 2- LABEL COVER



PART NUMBER		CFPL2SY	
TITLE			
MINI-COM 2 POSITION STAINLESS STEEL VERTICAL FACEPLATE WITH LABEL/COVER			
CUSTOMER DRAWING			
ITEM REVISION NAME		M02479FI/00	
DATASET FILE NAME		M02479FLDC141/00C	
UNLESS OTHERWISE SPECIFIED, DIMENSIONAL TOLERANCES ARE: IN [mm]		MATERIAL:	
.x ± .xx ± .03 [ .8 ]		FACEPLATE- 304 S.S. BACKING- ABS	
.xxx ± .010 [ .3 ]		DRAWING NUMBER:	
ANGLES ±		0249-141	
THIRD ANGLE PROJECTION		SHT 1 OF 1	
DRAWN BY	DATE	CHK	SCALE
JSP	3-14-06	MJD	NONE
REV	DATE	BY	CHK
2	4/14/14	JSP	REFR
APR	DESCRIPTION		ECN
MMR	REVISED AND REDRAWN; ALL OTHER DRAWING REVISIONS HAVE BEEN OMITTED.		02479-141

D10100DA/14