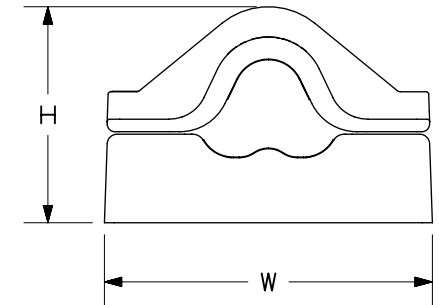
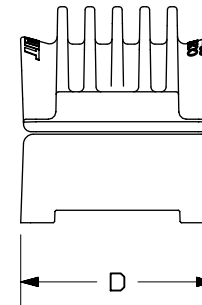
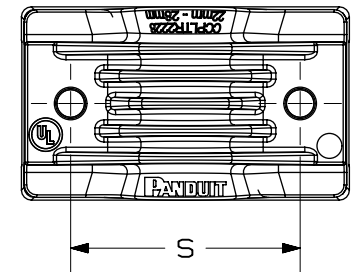
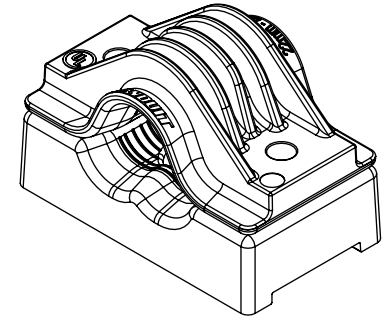


2

1

THIS COPY IS PROVIDED ON A RESTRICTED BASIS AND IS NOT TO BE USED IN ANY WAY DETRIMENTAL TO THE INTERESTS OF PANDUIT CORP.

PART NUMBER	CABLE SIZE RANGE in. [mm]	"H" in. [mm]	"W" in. [mm]	"D" in. [mm]	"S" in. [mm]	WEIGHT lb [g]	MOUNTING HOLES
CCPLTR2228-X	.87 - 1.10 [22 - 28]	3.46 [88]	5.20 [132]	3.07 [78]	3.62 [92]	1.29 [585]	1 X M10, 2 X M10
CCPLTR2633-X	1.02 - 1.30 [26 - 33]	3.86 [98]	5.59 [142]	3.07 [78]	4.02 [102]	1.39 [630]	1 X M10, 2 X M10
CCPLTR3139-X	1.22 - 1.54 [31 - 39]	4.13 [105]	6.06 [154]	3.07 [78]	4.49 [114]	1.51 [685]	1 X M10, 2 X M10
CCPLTR3745-X	1.46 - 1.77 [37 - 45]	4.61 [117]	6.54 [166]	3.07 [78]	4.96 [126]	1.64 [745]	1 X M10, 2 X M10
CCPLTR4352-X	1.69 - 2.05 [43 - 52]	5.04 [128]	7.09 [180]	3.07 [78]	5.51 [140]	1.80 [815]	1 X M10, 2 X M10
CCPLTR5060-X	1.97 - 2.36 [50 - 60]	5.55 [141]	7.76 [197]	3.07 [78]	6.14 [156]	1.97 [895]	1 X M10, 2 X M10



NOTES:

- VISIT OUR ON-LINE CATALOG AT WWW.PANDUIT.COM FOR A LIST OF CURRENT PARTS APPLICABLE FOR USE WITH THIS PRODUCT.
- DIMENSIONS IN [] ARE METRIC.
- ALL MATERIALS AND COMPONENTS USED MEET THE MATERIAL RESTRICTIONS OF RoHS (EUROPEAN DIRECTIVE 2011/65/EU ON THE RESTRICTION OF HAZARDOUS SUBSTANCES) AS PROPOSED BY THE RoHS TECHNICAL ADAPTATION COMMITTEE.
- TOP AND BOTTOM OF THE CLEAT ARE MADE FROM GLASS FILLED NYLON.
- MEETS IEC 61914:2015 SPECIFICATIONS.
- MOUNTING FASTENERS ARE NOT INCLUDED IN THE PACKAGE AND HAVE TO BE PURCHASED SEPARATELY.
- SELECT M10 BOLT LENGTH SUITABLE FOR THE RUNG.
- CONTACT PANDUIT SALES FOR CUSTOMIZED SOLUTIONS.

TITLE										POLYMER TREFOIL CABLE CLEAT									
CUSTOMER DRAWING																			
ITEM REVISION NAME					00055SDA/00					PANDUIT									
DATASET FILE NAME					00055SDA_DC/00A														
MATERIAL					NYLON, GLASS FILLED					DRAWING NUMBER					00055SDA_DC				
DRAWN BY					MGKR					DATE					08-23-2018				
CHK					ACC					SCALE					NONE				
SHEET					1 OF 1					SIZE					A				

2

1

REV	DATE	BY	CHK	APR	DESCRIPTION	ECN
00A	10-29-18	MGKR	ACC	RGRO	INITIAL RELEASE	041930

A-SIZE CUSTOMER