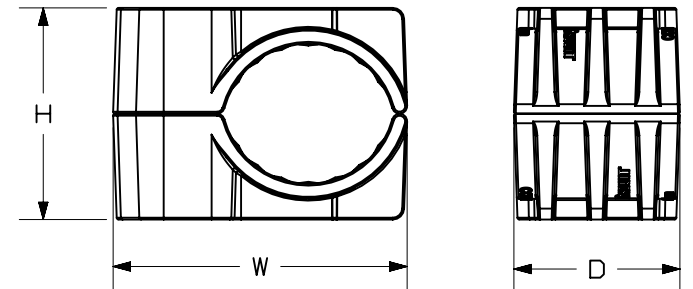
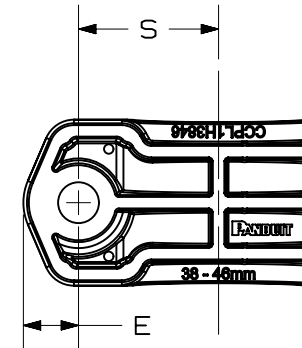
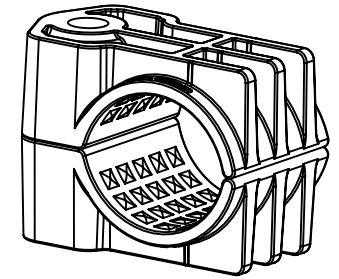


THIS COPY IS PROVIDED ON A RESTRICTED BASIS AND IS NOT TO BE USED IN ANY WAY DETRIMENTAL TO THE INTERESTS OF PANDUIT CORP.

PART NUMBER	CABLE DIAMETER RANGE in. [mm]	"H" in. [mm]	"W" in. [mm]	"D" in. [mm]	"E" in. [mm]	"S" in. [mm]	WEIGHT lb [g]	MOUNTING HOLES
CCPL1H1013-X	0.39-0.51 [10-13]	1.10 [28]	1.74 [44]	1.69 [43]	0.56 [14]	0.81 [21]	0.08 [38]	1 × M10
CCPL1H1316-X	0.51-0.63 [13-16]	1.22 [31]	1.87 [48]	1.69 [43]	0.56 [14]	0.87 [22]	0.10 [44]	1 × M10
CCPL1H1619-X	0.63-0.75 [16-19]	1.34 [34]	2.00 [51]	1.70 [43]	0.56 [14]	0.94 [24]	0.11 [49]	1 × M10
CCPL1H1923-X	0.75-0.91 [19-23]	1.46 [37]	2.16 [55]	1.70 [43]	0.56 [14]	1.01 [26]	0.12 [56]	1 × M10
CCPL1H2327-X	0.91-1.06 [23-27]	1.61 [41]	2.32 [59]	1.71 [43]	0.56 [14]	1.09 [28]	0.14 [63]	1 × M10
CCPL1H2732-X	1.06-1.26 [27-32]	1.77 [45]	2.52 [64]	1.71 [44]	0.57 [14]	1.19 [30]	0.16 [72]	1 × M10
CCPL1H3238-X	1.26-1.50 [32-38]	1.97 [50]	2.75 [70]	1.72 [44]	0.57 [15]	1.31 [33]	0.18 [82]	1 × M10
CCPL1H3846-X	1.50-1.81 [38-46]	2.20 [56]	3.06 [78]	1.73 [44]	0.57 [15]	1.46 [37]	0.21 [96]	1 × M10
CCPL1H4651-X	1.81-2.01 [46-51]	2.56 [65]	3.29 [84]	1.74 [44]	0.58 [15]	1.57 [40]	0.25 [114]	1 × M10
CCPL1H5157-X	2.02-2.24 [51-57]	2.76 [70]	3.53 [90]	1.75 [44]	0.58 [15]	1.69 [43]	0.28 [125]	1 × M10



NOTES:

- VISIT OUR ON-LINE CATALOG AT WWW.PANDUIT.COM FOR A LIST OF CURRENT PARTS APPLICABLE FOR USE WITH THIS PRODUCT.
- DIMENSIONS IN [] ARE METRIC.
- ALL MATERIALS AND COMPONENTS USED MEET THE MATERIAL RESTRICTIONS OF RoHS (EUROPEAN DIRECTIVE 2011/65/EU ON THE RESTRICTION OF HAZARDOUS SUBSTANCES) AS PROPOSED BY THE RoHS TECHNICAL ADAPTATION COMMITTEE.
- CLEAT COMPONENTS ARE NYLON.
- MEETS IEC 61914:2015 SPECIFICATIONS.
- MOUNTING FASTENERS ARE NOT INCLUDED IN THE PACKAGE AND MUST BE PURCHASED SEPARATELY.
- SELECT M10 BOLT LENGTH SUITABLE FOR THE RUNG.
- CONTACT PANDUIT SALES FOR CUSTOMIZED SOLUTIONS.

TITLE												
POLYMER 1-HOLE CABLE CLEAT												
CUSTOMER DRAWING												
ITEM REVISION NAME					00017EAV/03							
DATASET FILE NAME					00017EAV_DC/03A							
					THIRD ANGLE PROJECTION							
MATERIAL					NYLON							
DRAWING NUMBER					00017EAV_DC							
03A	05/09/19	KEC	BBEA	GBI	UPDATED PER COMPONENTS					46226		
REV	DATE	BY	CHK	APR	DESCRIPTION					ECN		
										DRAWN BY: KEC DATE: 08/02/18 CHK: MGKR SCALE: 1:2	SHEET 1 OF 1	SIZE: A

A-SIZE CUSTOMER