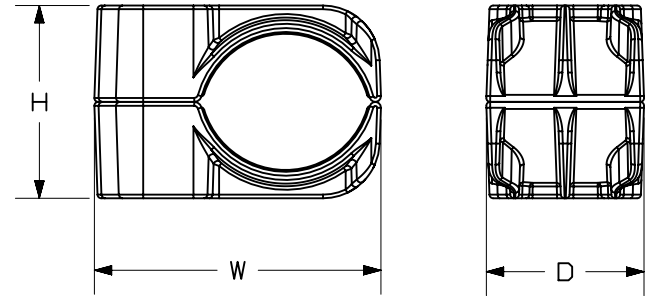
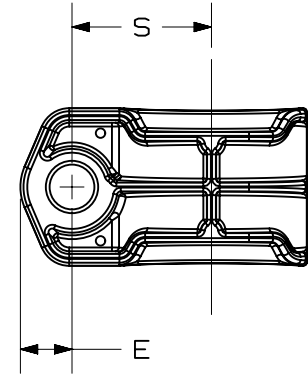
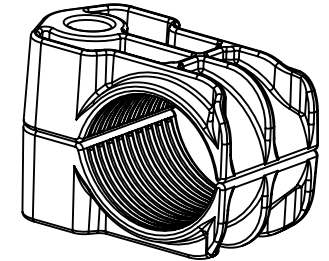


THIS COPY IS PROVIDED ON A RESTRICTED BASIS AND IS NOT TO BE USED IN ANY WAY DETRIMENTAL TO THE INTERESTS OF PANDUIT CORP.

PART NUMBER	CABLE DIAMETER RANGE in. [mm]	"H" in. [mm]	"W" in. [mm]	"D" in. [mm]	"E" in. [mm]	"S" in. [mm]	WEIGHT lb [g]	MOUNTING HOLES
CCAL1H1013-X	0.39-0.51 [10-13]	0.91 [23]	1.57 [40]	1.61 [41]	0.48 [12]	0.77 [20]	0.11 [50]	1 × M10
CCAL1H1316-X	0.51-0.63 [13-16]	1.02 [26]	1.73 [44]	1.61 [41]	0.48 [12]	0.83 [21]	0.13 [59]	1 × M10
CCAL1H1619-X	0.63-0.75 [16-19]	1.14 [29]	1.89 [48]	1.61 [41]	0.50 [13]	0.91 [23]	0.15 [68]	1 × M10
CCAL1H1923-X	0.75-0.91 [19-23]	1.26 [32]	2.05 [52]	1.61 [41]	0.50 [13]	0.99 [25]	0.17 [77]	1 × M10
CCAL1H2327-X	0.91-1.06 [23-27]	1.42 [36]	2.20 [56]	1.61 [41]	0.51 [13]	1.07 [27]	0.20 [89]	1 × M10
CCAL1H2732-X	1.06-1.26 [27-32]	1.57 [40]	2.44 [62]	1.61 [41]	0.53 [14]	1.19 [30]	0.24 [107]	1 × M10
CCAL1H3238-X	1.26-1.50 [32-38]	1.77 [45]	2.68 [68]	1.65 [42]	0.53 [14]	1.30 [33]	0.27 [125]	1 × M10
CCAL1H3846-X	1.50-1.81 [38-46]	2.01 [51]	2.99 [76]	1.65 [42]	0.54 [14]	1.45 [37]	0.33 [149]	1 × M10
CCAL1H4651-X	1.81-2.01 [46-51]	2.36 [60]	3.27 [83]	1.65 [42]	0.56 [14]	1.58 [40]	0.40 [181]	1 × M10
CCAL1H5157-X	2.01-2.24 [51-57]	2.56 [65]	3.50 [89]	1.65 [42]	0.57 [14]	1.70 [43]	0.44 [202]	1 × M10



- NOTES:
- VISIT OUR ON-LINE CATALOG AT [WWW.PANDUIT.COM](http://WWW.PANDUIT.COM) FOR A LIST OF CURRENT PARTS APPLICABLE FOR USE WITH THIS PRODUCT.
  - DIMENSIONS IN [ ] ARE METRIC.
  - ALL MATERIALS AND COMPONENTS USED MEET THE MATERIAL RESTRICTIONS OF RoHS (EUROPEAN DIRECTIVE ON THE RESTRICTION OF HAZARDOUS SUBSTANCES) AS PROPOSED BY THE RoHS TECHNICAL ADAPTATION COMMITTEE.
  - CASTINGS ARE ALUMINUM.
  - MEETS IEC 61914:2015 SPECIFICATIONS.
  - MOUNTING FASTENERS AND INSULATING MATERIALS ARE NOT INCLUDED IN THE PACKAGE AND MUST BE PURCHASED SEPARATELY.
  - SELECT M10 BOLT LENGTH SUITABLE FOR THE RUNG.
  - CONTACT PANDUIT SALES FOR CUSTOMIZED SOLUTIONS.

DRAFT

TITLE		ALUMINUM 1-HOLE CABLE CLEAT		
CUSTOMER DRAWING				
ITEM REVISION NAME	00017EAT/01			
DATASET FILE NAME	00017EAT_DC/01A			
		THIRD ANGLE PROJECTION		
MATERIAL		ALUMINUM		
DRAWING NUMBER		00017EAT_DC		
DRAWN BY	DATE	CHK	SCALE	SIZE
KEC	08/02/18	BBEA	1:2	A

01A	05/09/19	KEC	BBEA	GBI	UPDATED PER COMPONENTS	-
REV	DATE	BY	CHK	APR	DESCRIPTION	ECN

A-SIZE CUSTOMER