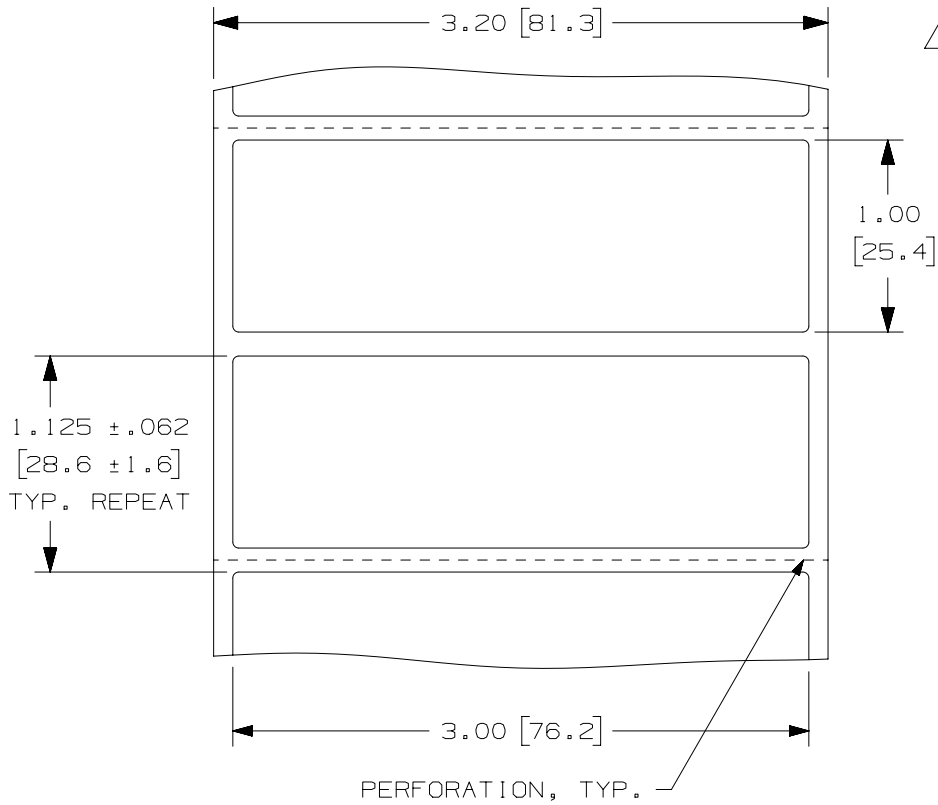


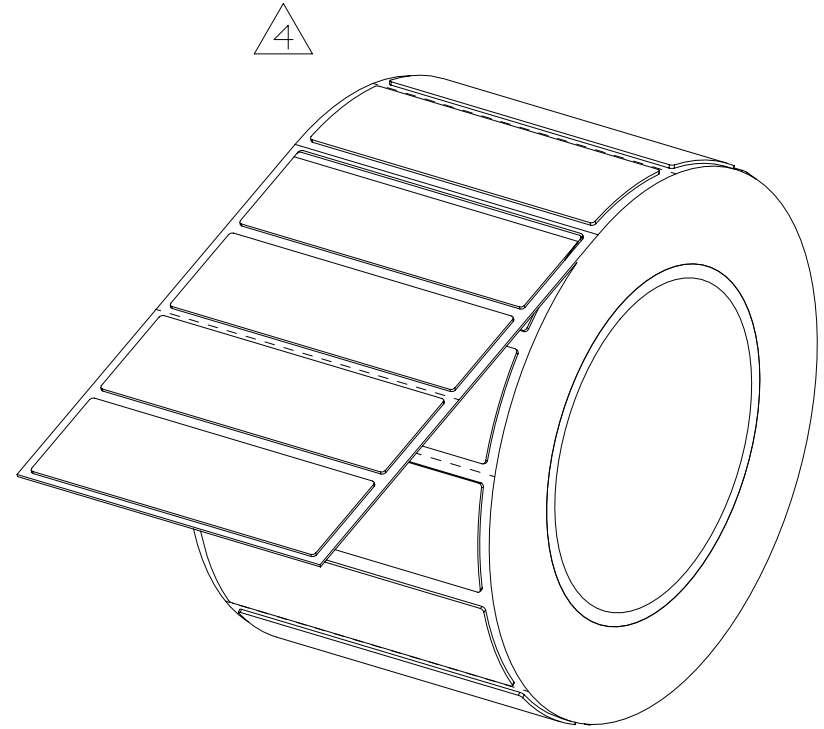
THIS COPY IS PROVIDED ON A RESTRICTED BASIS AND IS NOT TO BE USED IN ANY WAY DETRIMENTAL TO THE INTERESTS OF PANDUIT CORP.

NOTES:

1. DIMENSIONS IN [ ] ARE IN MILLIMETERS.



PANDUIT PART NO.	MATERIAL	FACE COLOR	PKG. QTY.	THICKNESS	PRODUCT TYPE
4 C300X100AOT	GMH3-A	BLACK	500	.030 +/- .010	COMPONENT LABEL
C300X100A8T		YELLOW			
C300X100APT	GMH3-W	WHITE			
4 C300X100AUT	GMH3-A	ORANGE			
C300X100AWT		RED			



REV	DATE	BY	CHK	APR	DESCRIPTION	ECN
4	4/17/15	RVU	SEWH	JHAC	GMH3-A WAS GMH3.	GAECN02601
3	4/25/13	RVU	SEWH	DAPE	ADD NEW PN: C300X100AWT FOR RED.	GAECN00831
2	1/21/13	RVU	SEWH	DAPE	ADD material column and ISO view. Update part numbers sequence list.	GAECN00541
1	5/6/11	RVU		DAPE	ADD NEW PN: C300X100AUT.	6348
0	5/4/10	RVU		DAPE	DRAWING RELEASE.	6037

TITLE <b>RAISED PANEL COMPONENTS LABELS C300X100A*T</b>		CUSTOMER DRAWING	
ITEM REVISION NAME 100491CN/05		<b>PANDUIT</b> ™	
DATASET FILE NAME 100491CN_DC_C10832/05E		MATERIAL: <b>SEE TABLE</b>	
UNLESS OTHERWISE SPECIFIED, DIMENSIONAL TOLERANCES ARE: IN [ mm ] .x ± .12 [ 3.05 ] .xxx ± .025 [ .635 ] .xx ± .062 [ 1.57 ] ANGLES ±		DRAWING NUMBER: C10832	
THIRD ANGLE PROJECTION	DRAWN BY RVU	DATE 5/4/10	CHK MSAD
	SCALE NTS	SHT 1 OF 1	
			SIZE A

D101000DA/12