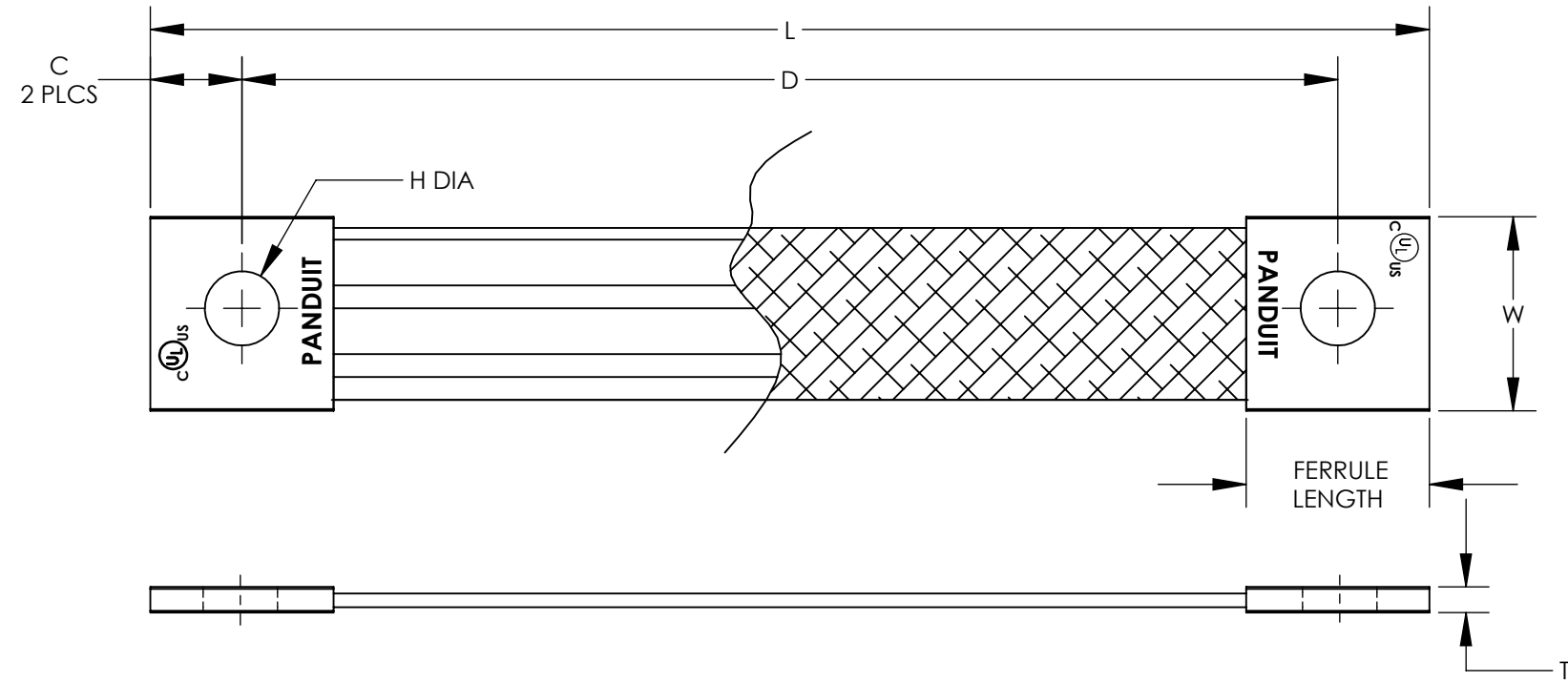


THIS COPY IS PROVIDED ON A RESTRICTED BASIS AND IS NOT TO BE USED IN ANY WAY DETRIMENTAL TO THE INTERESTS OF PANDUIT CORP.



NOTES:

1. BRAIDED STRAP IS #4 AWG STRANDED COPPER, TIN PLATED FERRULES ARE TIN PLATED COPPER.
2. INSULATION:
MATERIAL - POLYOLEFIN SLEEVE
TEMPERATURE RATING - 135° C
COLOR - INDUSTRY STANDARD YELLOW/GREEN
3. DIMENSIONS IN PARENTHESIS ARE MILLIMETERS.
4. PARTS ARE UL LISTED FOR BONDING APPLICATIONS ONLY.



PANDUIT PART NUMBER	BRAIDED STRAP SIZE	INSULATION (SEE NOTE 2)	NO. OF BRAIDS IN FERRULE	DIMENSIONS - IN [mm] + .02 [0.5]						
				L	D	W	C	T	H DIA	FERRULE LENGTH
BS100445	4 AWG	YES	1	4.00 [101.6]	3.00 [76.2]	1.06 [27.0]	0.50 [12.7]	0.13 [3.3]	0.41 [10.3]	1.00 [25.4]
BS100645	4 AWG	YES	1	6.00 [152.4]	5.00 [127.0]	1.06 [27.0]	0.50 [12.7]	0.13 [3.3]	0.41 [10.3]	1.00 [25.4]
BS100845	4 AWG	YES	1	8.00 [203.2]	7.00 [177.8]	1.06 [27.0]	0.50 [12.7]	0.13 [3.3]	0.41 [10.3]	1.00 [25.4]
BS101245	4 AWG	YES	1	12.00 [304.8]	11.00 [279.4]	1.06 [27.0]	0.50 [12.7]	0.13 [3.3]	0.41 [10.3]	1.00 [25.4]
BS100445U	4 AWG	NO	1	4.00 [101.6]	3.00 [76.2]	1.06 [27.0]	0.50 [12.7]	0.13 [3.3]	0.41 [10.3]	1.00 [25.4]
BS100645U	4 AWG	NO	1	6.00 [152.4]	5.00 [127.0]	1.06 [27.0]	0.50 [12.7]	0.13 [3.3]	0.41 [10.3]	1.00 [25.4]
BS100845U	4 AWG	NO	1	8.00 [203.2]	7.00 [177.8]	1.06 [27.0]	0.50 [12.7]	0.13 [3.3]	0.41 [10.3]	1.00 [25.4]
BS101245U	4 AWG	NO	1	12.00 [304.8]	11.00 [279.4]	1.06 [27.0]	0.50 [12.7]	0.13 [3.3]	0.41 [10.3]	1.00 [25.4]

REV	DATE	BY	CHK	APR	DESCRIPTION	ECN
00	4/18	JHNU	JHNU	RGB	ADDED ± .02 [0.5] TOLERANCE REVISED TITLE BLOCK	033692

TITLE ONE-HOLE BRAIDED BONDING STRAPS CUSTOMER DRAWING	
ITEM REVISION NAME N11002BE/06	PANDUIT
DATASET FILE NAME N11002BE-DC/06.SLDDRW	
UNLESS OTHERWISE SPECIFIED, DIMENSIONAL TOLERANCES ARE: IN [mm] .X ± .XXX ± .XX ± .02 [0.5] ANGLES ±	
THIRD ANGLE PROJECTION	
DRAWN BY JHNU	DATE 2/08
CHK	SCALE N/A
DRAWING NUMBER C41744	
SHEET 1 OF 1	
SIZE B	