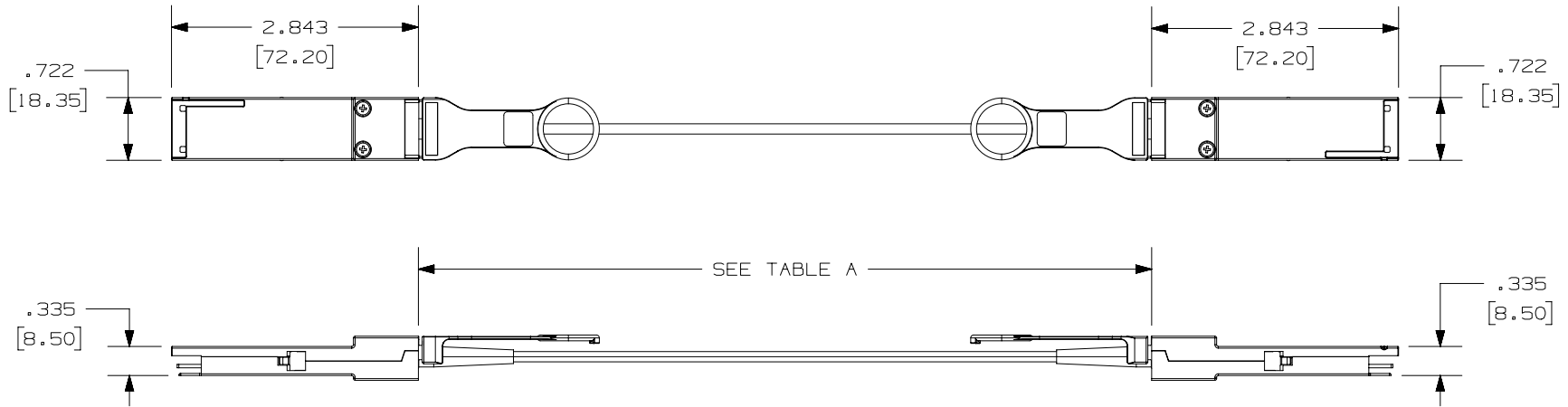


THIS COPY IS PROVIDED ON A RESTRICTED BASIS AND IS NOT TO BE USED IN ANY WAY DETRIMENTAL TO THE INTERESTS OF PANDUIT CORP.

PANDUIT P/N	***=LENGTH (M)
AXB3NQPPAQM***	001±.2
	002±.2
	003±.2
	005±.2
	007±.2
	010±.2
	015±.3
	020±.4
	025±.5
	030±.6

NOTES:

- DESCRIPTION: ACTIVE OPTICAL CABLE ASSY, OM3, 8F, 3.0MM, NON-RATED PVC, QSFP+ TO QSFP+ AQUA, LENGTH IN METERS
- 1a. COMPLIANT  
IEEE STD 802.3bm: PHYSICAL LAYER SPECIFICATIONS AND MANAGEMENT PARAMETERS  
SFF-8679: GENERAL ELECTRICAL  
SFF-8661: PLUGGABLE MODULE  
SFF-8636: MANAGEMENT INTERFACE
- SUPPORTS 10.3125Gb/s PER CHANNEL.
- CABLE ASSEMBLY IMPEDANCE: 100±10ohm.
- LOW POWER CONSUMPTION OF MAX 0.8W, HOT PLUGGABLE ELECTRICAL INTERFACE.
- 0 TO 70° C CASE TEMPERATURE OPERATING RANGE.
- ALL MATERIAL MUST COMPLY WITH RoHS 2.0
- ALL MATERIALS AND COMPONENTS USED MEET THE MATERIAL RESTRICTIONS OF RoHS (EUROPEAN DIRECTIVE 2011/65/EU ON THE RESTRICTION OF HAZARDOUS SUBSTANCES) AS PROPOSED BY THE RoHS TECHNICAL ADAPTATION COMMITTEE.



FOR PRODUCT LENGTH LESS THAN/EQUAL TO 3m THE FANOUT LENGTH WILL BE 2/3 TOTAL LENGTH.  
FOR PRODUCT LENGTH GREATER THAN 3m THE FANOUT LENGTH WILL BE 3m.



PART NUMBER		SEE TABLE A		
TITLE				
QSFP+ (40G) to QSFP+ (40G)				
CUSTOMER DRAWING				
ITEM REVISION NAME		00630EAC/01		
DATASET FILE NAME		00630EAC_DC/01A		
MATERIAL		THIRD ANGLE PROJECTION		
DRAWING NUMBER		00630EAC-DC		
01A	12-15-20	SAT	PJI	DDH
REV	DATE	BY	CHK	APR
DESCRIPTION		ECN		
SAT		12-14-20		PJI
SCALE		NONE		
SHEET 1 OF 1				A