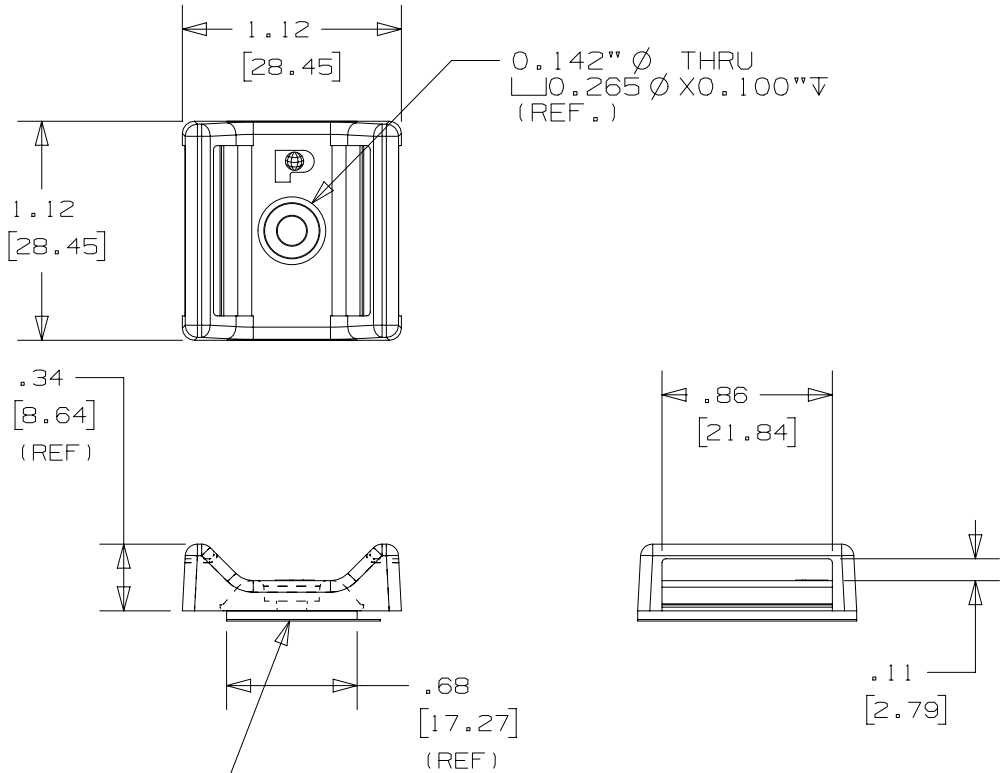


THIS COPY IS PROVIDED ON A RESTRICTED BASIS AND IS NOT TO BE USED IN ANY WAY DETRIMENTAL TO THE INTERESTS OF PANDUIT CORP.

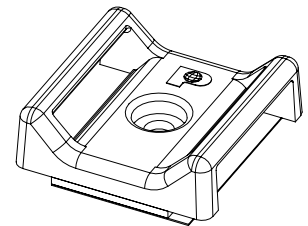
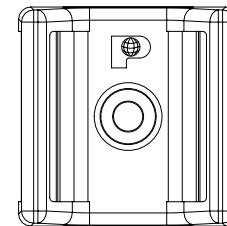


Adhesive Backing: Pressure Sensitive Adhesive Foam Tape 0.04" (1.0mm) thick with a protective liner. Mount is designed to support 0.38 lbs. (173.5g) max weight on a clean, dry, smooth, grease free surface.

PANDUIT PART NO. (*)	WEIGHT lbs / 100 (g) / pcs.
ABMT-__-__	NO ADHESIVE 0.64 (291.4) WITH ADHESIVE 0.65 (294.8)

NOTES:

- SEE CURRENT PRICE SHEET FOR PART NUMBER SUFFIX DESIGNATION FOR PACKAGE SIZE AND COLOR.
- A SUFFIX REPRESENTS RUBBER ADHESIVE
-AT SUFFIX REPRESENTS ACRYLIC ADHESIVE
-S6 SUFFIX, NO ADHESIVE: SCREW APPLIED WITH A #6-32 BUTTON HEAD CAP SCREW.
- ABMT-A HAS A MAXIMUM CONTINUOUS OPERATING TEMPERATURE OF 120°F (49°C). ABMT-AT HAS A MAXIMUM CONTINUOUS OPERATING TEMPERATURE OF 180°F (82°C).
- BAG MAY CONTAIN EXTRA PIECES TO COMPENSATE FOR VARIANCE IN THE PACKAGING PROCESS. PANDUIT ASSURES MINIMUM PIECE COUNT AS STATED ON THE BAG.



SCALE: FULL

REV	DATE	BY	CHK	APR	DESCRIPTION	ECN
2	1/4/2021	RVU	JADE	RMHI	ADDED NOTE 4.	GAECN05835
1	5/08/13	JAD			1.12 WAS 1.10.	GB2471CB

TITLE ADHESIVE BACKED "TAK-TY" MOUNT (ABMT-__-__)		CUSTOMER DRAWING	
ITEM REVISION NAME G03597HI/01		PANDUIT	
DATASET FILE NAME 10B015JM_DC_GB0239EB/13			
UNLESS OTHERWISE SPECIFIED, DIMENSIONAL TOLERANCES ARE: IN [mm]		MATERIAL: SEE TABLE	
.x ± 0.05 [1.3] .xxx ± 0.010 [.25] .xx ± .02 [0.5] ANGLES ± 5 °		DRAWING NUMBER: GB2471CB	
THIRD ANGLE PROJECTION		SHT 1 OF 1	
DRAWN BY JAD	DATE 8/26/96	CHK JADE	SCALE NONE
		SIZE A	

D10100DA/20