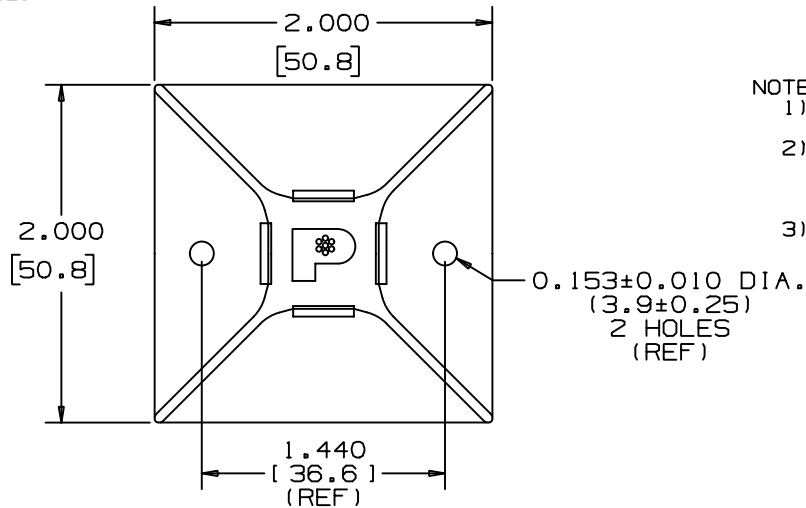


THIS COPY IS PROVIDED ON A RESTRICTED BASIS AND IS NOT TO BE USED IN ANY WAY DETRIMENTAL TO THE INTERESTS OF PANDUIT CORP.

NO WARRANTY, EXPRESSED OR IMPLIED, IS MADE BY PANDUIT WITH RESPECT TO ADHESIVE BOND PERFORMANCE. AMONG OTHER THINGS, THE CONDITIONS UNDER WHICH THESE MOUNTS MAY BE APPLIED AND/OR THE SURFACE TO WHICH THEY MAY BE APPLIED ARE BEYOND PANDUIT'S CONTROL.

PANDUIT PART NO.*	USE WITH THESE CABLE TIE ** CROSS SECTIONS	WEIGHT lbs /100 pcs. (g)
ABM4H-AT	M, I, S, LH & H	1.08 (492)

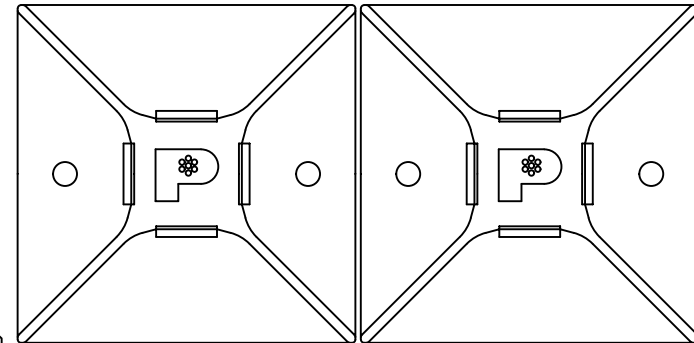


NOTES:

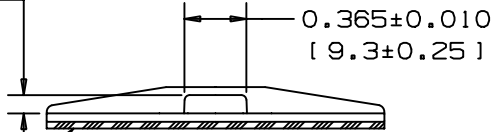
- 1) SEE CURRENT PRICE SHEET FOR PART NUMBER SUFFIX DESIGNATIONS FOR PACKAGE SIZE.
- 2) CABLE TIE CROSS SECTION CODE: M=MINIATURE, I=INTERMEDIATE, S=STANDARD, LH=LIGHT HEAVY, H=HEAVY. MOUNT SHOULD NOT BE USED WITH M, I OR S CROSS SECTION CABLE TIES WITH LESS THAN A 2" BUNDLE DIAMETER.
- 3) MOUNT HAS CONTINUOUS OPERATING TEMPERATURE OF 180°F (82°C).

TO APPLY MOUNT

- 1) REMOVE MOUNT FROM PROTECTIVE LINER.
- 2) PLACE IN DESIRED LOCATION.
- 3) APPLY PRESSURE TO MOUNT.



0.095±0.010
[2.4±0.25]



ADHESIVE TAPE: PRESSURE SENSITIVE FOAM 0.040(1.01) THICK WITH ACRYLIC ADHESIVE AND PROTECTIVE LINER. MOUNT IS DESIGNED TO SUPPORT 2.0 lbs.(907g) MAX. WEIGHT ON A CLEAN, DRY, SMOOTH, GREASE-FREE SURFACE.

(DIMENSIONS IN PARENTHESES ARE IN METRIC.)

CAD FILENAME/LAYERS

G00239GT_DC_01

PANDUIT

CORP. TINLEY PARK, ILLINOIS

ABM4H-AT
ADHESIVE BACKED MOUNT

UNLESS OTHERWISE SPECIFIED,
DIMENSIONAL TOLERANCES ARE:
(.X) ±0.1(2.5) (.XXX) ±0.020(1.5)
(.XX) ±0.05(1.3) ANGLES ±5°

UNLESS OTHERWISE SPECIFIED,
ALL DIMENSIONS ARE GIVEN
IN INCHES, THIRD ANGLE PROJECTION.

REV	DATE	BY	CHK	DESCRIPTION	ECN	R	CUST	SUP
1	10-30-00	CGSM		CHANGED DIMS TO REF, CHANGED APPLICATION NOTE 1, ADDED NOTE 3, REMOVED DIM.	GB0239GT	1		
R	10-6-00	CGSM		INITIAL RELEASE	GB0239GT	R		

DRAWN BY
CGSM
DATE
10-6-00
CHK'D

MAT'L:

WHITE
NYLON 6/6

SCALE FULL

DRAWING NO. GB0239GT

DWG
SIZE
A