

NetKey™ Modular Furniture Faceplates (Standard openings)

specifications

Modular furniture faceplates shall be available in 4 port densities, flat or sloped, furniture faceplates shall mount to standard furniture openings. Furniture faceplates will accept any NetKey™ Keystone Module.



technical information

Mounting options: Standard sizes have industry standard opening 1.345" - 1.405" (H) x 2.67" - 2.75" (W), maximum panel thickness of 0.09"

key features and benefits

Modular flat design	Accepts all NetKey™ modules. Compatible with the modular furniture faceplate extender
Modular sloped design	Accepts all NetKey™ modules except for NKHDMI** and NKUSBAA** which can be inserted into the two center ports ONLY
Bend radius control	Bend radius can be protected or improved by using the sloped design, or use faceplate extender with flat faceplate which will add 0.05" to the in-wall depth

applications

Furniture faceplates are used in work areas with modular furniture which have the standard furniture outlet opening. Angled design is recommended in areas where bend radius control is a concern.

The angled design allows cable to properly route within the channel. Faceplate extender can also be used to increase the space behind the furniture faceplate by 0.5".

NetKey™ Modular Furniture Faceplates (For standard openings)

Four module space (flat): NK4MFBL*
NK4MFLBL

Four module space (sloped): NK4MFABL*^

Label options for four module space faceplates (adhesive)

Laser/Inkjet: C252X030FJJ

LS8E: C252X030FJC

Accessories

Modular furniture faceplate extender (For use with NK4MF):** MFFPEBL*

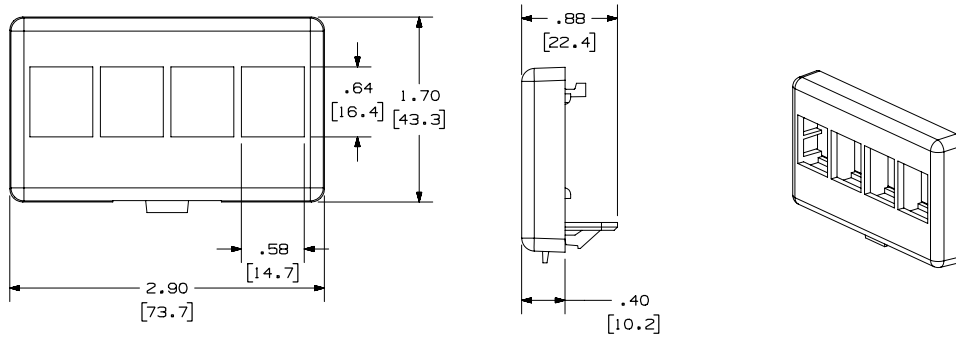
Horizontal right angle: FRA2X2L**

*For other colors, replace suffix BL (Black) with IW (Off White), EI (Electric Ivory), WH (White), or IG (International Gray).

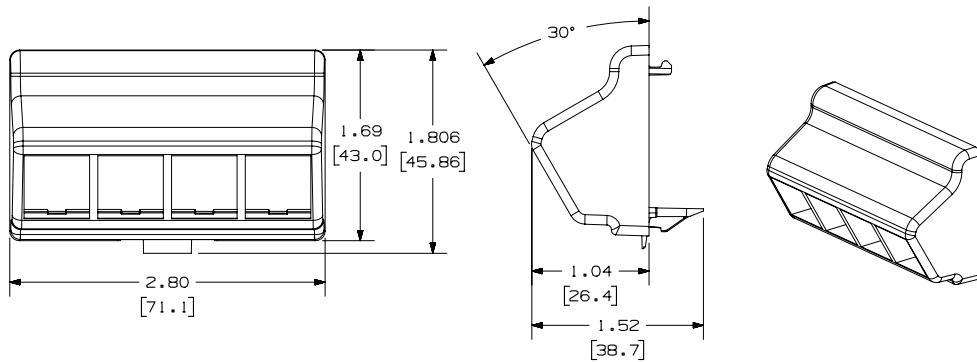
^NKHDMI** and NKUSBAA** can be inserted in the two center ports **ONLY**.

NetKey™ Modular Furniture Faceplates (Standard openings)

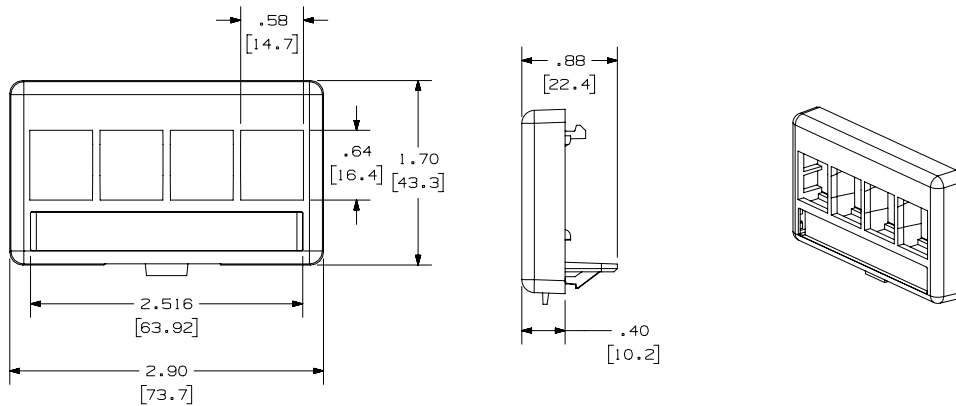
NK4MFBL



NK4MFABL



NK4MFLBL



Dimensions are in inches. (Dimensions in brackets are metric).

WORLDWIDE SUBSIDIARIES AND SALES OFFICES

PANDUIT US/CANADA
Phone: 800.777.3300

PANDUIT EUROPE LTD.
London, UK
Phone: 44.20.8601.7200

PANDUIT SINGAPORE PTE. LTD.
Republic of Singapore
Phone: 65.6305.7575

PANDUIT JAPAN
Tokyo, Japan
Phone: 81.3.6863.6000

PANDUIT LATIN AMERICA
Guadalajara, Mexico
Phone: 52.33.3777.6000

PANDUIT AUSTRALIA PTY. LTD.
Victoria, Australia
Phone: 61.3.9794.9020

For a copy of Panduit product warranties, log on to www.panduit.com/warranty

For more information

Visit us at www.panduit.com
Contact Customer Service by email: cs@panduit.com
or by phone: 800.777.3300

PANDUIT®

© 2020 Panduit Corp.
ALL RIGHTS RESERVED.
NKDS60--WW-ENG
11/2020