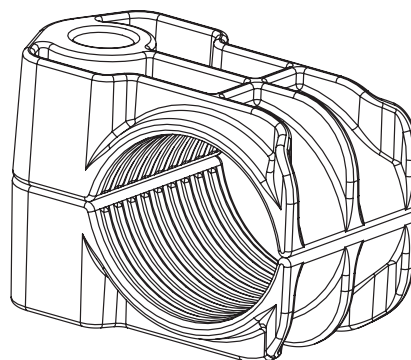
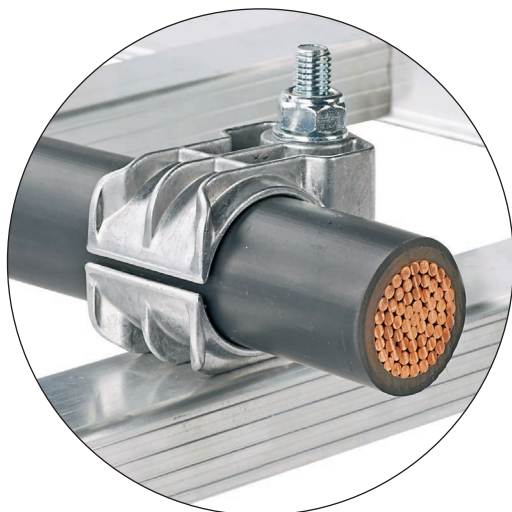


Cable Cleats for Short Circuit Protection - Aluminum One-Hole Cleat

overview

The Aluminum One-Hole Cleat is ideal for lower to medium short circuit faults in less corrosive environments. It is available in multiple sizes with cable range-taking capability and is suitable for single conductor cables.

The cleat is installed direct to the cable tray rung via a fixing hole and M10 bolt. Insulating spacers and washers are available to protect against galvanic corrosion in case of dissimilar cable tray rung and cable cleat materials.



features



| |
|---|
| Cleats comply with IEC 61914:2015 standard. Tested at third party laboratory |
| Cast aluminum material |
| Operating temperature -40°C to +120°C (-40°F to +248°F) |
| 10 – 57 mm cable diameter range-taking via 7 parts. Custom sizes available upon request |
| Dual bolt fixing (M10) |
| Rounded aluminum edges for cable insulation protection |
| Ridges help hold cable in place |
| Available insulating spacers and washers |
| Interlock feature prevents rotation between top and bottom pieces of cleat |

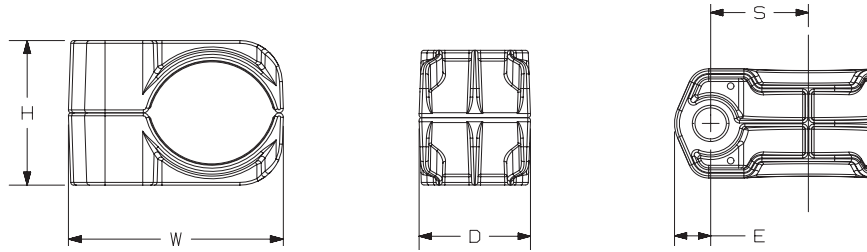
short circuit testing summary¹

| Flat Formation 105 mm Cable Spacing | Flat Formation 105 mm Cable Spacing |
|--|---|
| One Short Circuit Event (Clause 6.4.4) 600 mm spacing | Two Short Circuit Events (Clause 6.4.5) 600 mm spacing |
| 93.4 kA | 93.4 kA |
| 1904 lbs force (8.47 kN) | 1904 lbs force (8.47 kN) |

¹Test compliance to IEC 61914:2015 utilizing KEMA facility; Independent, ISO 17025 accredited testing, inspection, and certification services (IEEE, IEC, UL, and ANSI) for electric power equipment.

Cable Cleats for Short Circuit Protection - Aluminum One-Hole Cleat

technical data



| Part Number | Description | Cable Diameter Range | | H | | W | | D | | E | | S | | Weight | | Mounting Holes |
|--------------|--|----------------------|---------|------|----|------|----|------|----|------|----|------|----|--------|-----|----------------|
| | | In. | mm | In. | mm | In. | mm | In. | mm | In. | mm | In. | mm | Lb. | g | |
| CCAL1H1013-X | Cable cleat, aluminum, one-hole configuration with a cable diameter of 10 - 13 mm. | 0.39 - 0.51 | 10 - 13 | 0.91 | 23 | 1.59 | 40 | 1.60 | 41 | 0.48 | 12 | 0.77 | 20 | 0.11 | 50 | 1 x M10 |
| CCAL1H1316-X | Cable cleat, aluminum, one-hole configuration with a cable diameter of 13 - 16 mm. | 0.51 - 0.63 | 13 - 16 | 1.02 | 26 | 1.72 | 44 | 1.61 | 41 | 0.48 | 12 | 0.83 | 21 | 0.13 | 59 | 1 x M10 |
| CCAL1H1619-X | Cable cleat, aluminum, one-hole configuration with a cable diameter of 16 - 19 mm. | 0.63 - 0.75 | 16 - 19 | 1.14 | 29 | 1.88 | 48 | 1.61 | 41 | 0.50 | 13 | 0.91 | 23 | 0.15 | 68 | 1 x M10 |
| CCAL1H1923-X | Cable cleat, aluminum, one-hole configuration with a cable diameter of 19 - 23 mm. | 0.75 - 0.91 | 19 - 23 | 1.26 | 32 | 2.04 | 52 | 1.61 | 41 | 0.50 | 13 | 0.99 | 25 | 0.17 | 77 | 1 x M10 |
| CCAL1H2327-X | Cable cleat, aluminum, one-hole configuration with a cable diameter of 23 - 27 mm. | 0.91 - 1.06 | 23 - 27 | 1.42 | 36 | 2.28 | 58 | 1.62 | 41 | 0.51 | 13 | 1.07 | 27 | 0.20 | 89 | 1 x M10 |
| CCAL1H2732-X | Cable cleat, aluminum, one-hole configuration with a cable diameter of 27 - 32 mm. | 1.06 - 1.26 | 27 - 32 | 1.57 | 40 | 2.44 | 62 | 1.63 | 41 | 0.53 | 14 | 1.19 | 30 | 0.24 | 107 | 1 x M10 |
| CCAL1H3238-X | Cable cleat, aluminum, one-hole configuration with a cable diameter of 32 - 38 mm. | 1.26 - 1.50 | 32 - 38 | 1.77 | 45 | 2.68 | 68 | 1.63 | 42 | 0.53 | 14 | 1.30 | 33 | 0.27 | 125 | 1 x M10 |
| CCAL1H3846-X | Cable cleat, aluminum, one-hole configuration with a cable diameter of 38 - 46 mm. | 1.50 - 1.81 | 38 - 46 | 2.01 | 51 | 2.98 | 76 | 1.64 | 42 | 0.54 | 14 | 1.45 | 37 | 0.33 | 149 | 1 x M10 |
| CCAL1H4651-X | Cable cleat, aluminum, one-hole configuration with a cable diameter of 46 - 51 mm. | 1.81 - 2.01 | 46 - 51 | 2.36 | 60 | 3.25 | 83 | 1.65 | 42 | 0.56 | 14 | 1.58 | 40 | 0.40 | 181 | 1 x M10 |
| CCAL1H5157-X | Cable cleat, aluminum, one-hole configuration with a cable diameter of 51 - 57 mm. | 2.01 - 2.24 | 51 - 57 | 2.56 | 65 | 3.49 | 89 | 1.66 | 42 | 0.57 | 14 | 1.70 | 43 | 0.44 | 202 | 1 x M10 |

WORLDWIDE SUBSIDIARIES AND SALES OFFICES

PANDUIT CANADA
Markham, Ontario
cs-cdn@panduit.com
Phone: 800.777.3300

PANDUIT EUROPE LTD.
London, UK
cs-emea@panduit.com
Phone: 44.20.8601.7200

PANDUIT SINGAPORE PTE. LTD.
Republic of Singapore
cs-ap@panduit.com
Phone: 65.6305.7575

PANDUIT JAPAN
Tokyo, Japan
cs-japan@panduit.com
Phone: 81.3.6863.6000

PANDUIT LATIN AMERICA
Guadalajara, Mexico
cs-la@panduit.com
Phone: 52.33.3777.6000

PANDUIT AUSTRALIA PTY. LTD.
Victoria, Australia
cs-aus@panduit.com
Phone: 61.3.9794.9020

For a copy of Panduit product warranties, log on to www.panduit.com/warranty

For more information

Visit us at www.panduit.com/cablecleat

Contact Customer Service by email: cs@panduit.com
or by phone: 800.777.3300

PANDUIT[®]

© 2019 Panduit Corp.
ALL RIGHTS RESERVED.
SSDS06--SA-ENG
8/2019