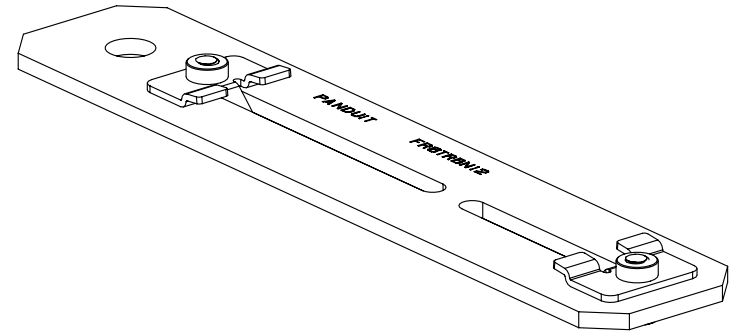
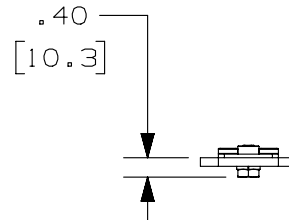
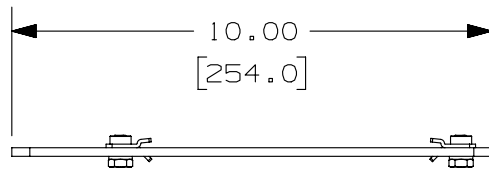
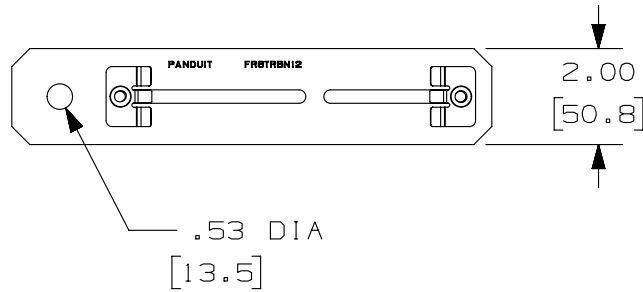


THIS COPY IS PROVIDED ON A RESTRICTED BASIS AND IS NOT TO BE USED IN ANY WAY DETRIMENTAL TO THE INTERESTS OF PANDUIT CORP.

PANDUIT PART NUMBER	WEIGHT
FR6TRBN12 FR6TRBN12M	1.11 LB/EACH (504g/EACH)

NOTES:

1. SEE CURRENT CATALOG FOR ADDITIONAL PART SUFFIXES TO INDICATE PACKAGE QUANTITY.
2. THE FIBERRUNNER 4x4 AND 6x4 QUIKLOCK NEW THREADED ROD BRACKET IS USED TO SUPPORT THE FIBERRUNNER 4x4 AND/OR 6x4 CABLE ROUTING SYSTEMS FROM A SECTION OF NEW 1/2" (M12) THREADED ROD (NOT INCLUDED).
3. THE FIBERRUNNER 4x4 AND 6x4 QUIKLOCK NEW THREADED ROD BRACKET INCLUDES:
ONE (1) BRACKET ASSEMBLY,
TWO (2) 1/2 HELICAL SPRING LOCKWASHERS,
TWO (2) 1/2-13 HEAVY HEX NUTS (FR6TRBN12 ONLY),
TWO (2) M12x1.75 HEX NUTS (FR6TRBN12M ONLY)
4. FINISH COLOR: BLACK (EXCEPT HARDWARE)
5. DIMENSIONS IN PARENTHESES ARE IN METRIC.



2	05-13-13	JBN	RTFI	RN	I. UPDATED DRAWING BORDER & TITLE BLOCK					37585-25
REV	DATE	BY	CHK	APR	DESCRIPTION					ECN

TITLE FIBERRUNNER 4X4 AND 6X4 QUIKLOCK NEW THREADED ROD BRACKET 1/2" (M12) THREADED ROD FR6TRBN12 & FR6TRBN12M CUSTOMER DRAWING	
ITEM REVISION NAME D37585BC/01	PANDUIT
DATASET FILE NAME D37585BC_DC_FR6TRBN12/01B	
UNLESS OTHERWISE SPECIFIED, DIMENSIONAL TOLERANCES ARE: IN (mm) .X ± .XXX ± .XX ± .03 [.8] ANGLES ±	MATERIAL: STEEL
THIRD ANGLE PROJECTION	DRAWING NUMBER: 37585-25
DRAWN BY MSO	DATE 05-11-00
CHK CVV	SCALE NONE
	SHT 1 OF 1
	SIZE A

D101000DA/15